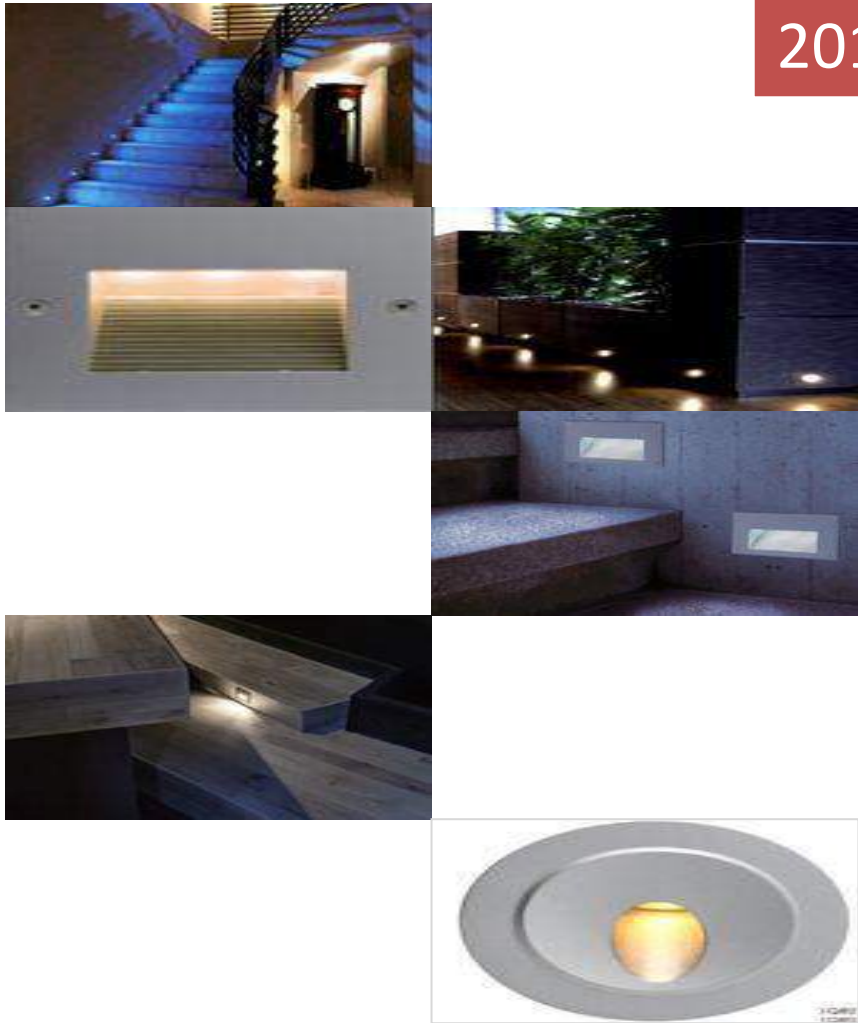


2019. Ver.00










LEDLIGHT

Led, video & solar energy solutions



AZTECH **NEW CATALOG** 2019.VER.00

-  LED RECESSED WALL LIGHT SERIES
-  GARDEN SPOT LIGHT SERIES
-  INGROUND LIGHT SEREIS
-  SIDED VIEW INGROUND LIGHT SERIES
-  RECESSED SWIMMING POOL LIGHT SEREIS
-  FOUNTAIN LIGHT SERIES
-  UNDERWATER SPOT LIGHT SERIES

AZTECH GENERAL TRADING LLC
P.O BOX: 239101, AL QUSAIS
INDUSTRIAL AREA 2, DUBAI
UNITED ARAB EMIRATES
PH:+971 4 8880698

Website: www.aztechmnc.com **Email:** info@aztechmnc.com **Sales:** info.salesaztech@gmail.com

Recessed LED Wall Light/LED Step Light



- LED Colour Temperature
 - 2700K • 3000K
 - 4000K • 6000K
- Customized Colors

Housing color option

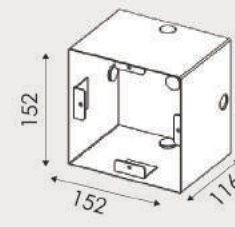
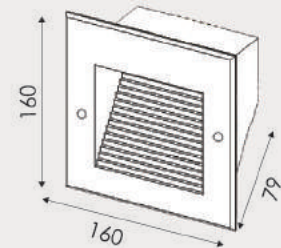
- Grey painting RAL9007
- Silver painting RAL9005
- Matt black RAL9006
- Customized Colors



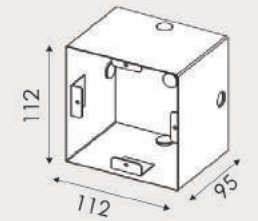
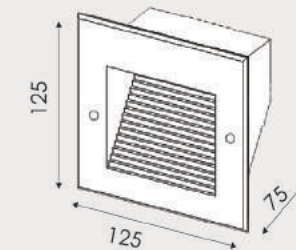
- LED Colour Temperature
 - 2700K • 3000K
 - 4000K • 6000K
- Customized Colors

Housing color option

- Grey painting RAL9007
- Silver painting RAL9005
- Matt black RAL9006
- Customized Colors



Mounting sleeve



Mounting sleeve

Material specifications

| | |
|------------------------|---|
| Housing | 12#Die-casting outdoor powder coated aluminum |
| Front cover | 12#Die-casting outdoor powder coated aluminum |
| Glass | Tempered glass, T=3mm |
| Cable gland: | IP67 Copper and nickel coated |
| Gasket: | Tooling shaped seal |
| LED: | SMD LED or Customized LED |
| PCB: | Excellent heat conductivity aluminum, coefficient of Heat Conductivity≥2.0w/mk |
| Driver: | Constant current output |
| Operating temperature: | -20°C~40°C |
| Power cable: | H05RN-F 2×1.0mm ² L=2m(low voltage) H05RN-F 3×1.0mm ² L=2m(low voltage) H05RN-F 4×0.75mm ² L=2m(for RGB) |



COB LED 5W~6W

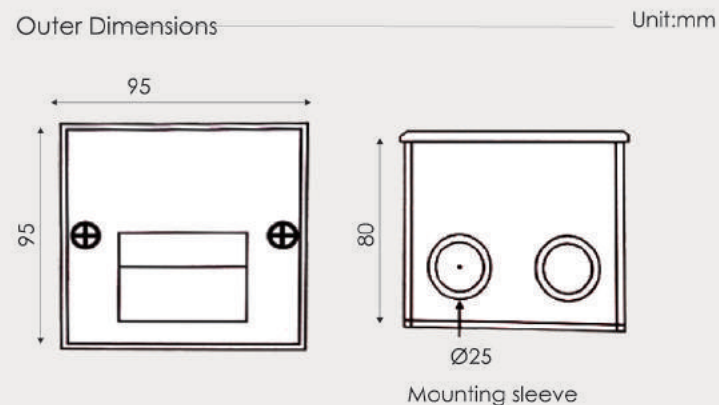
| Item No. | Light source | Lens beam angle(°) | Consumption (watt) | Input Voltage(V) | lk rate |
|----------|--------------|--------------------|--------------------|---------------------------|---------|
| 817187 | SMD3528*18 | N/A | 2.5 | DC12V/DC24V AC100-240V | 10 |
| 817068 | 1*6W LED | N/A | 6.4 | DC12V/DC24V AC100-240V | 10 |
| 817037 | SMD5050*3 | N/A | 1.8 | DC12V/DC24V AC100-240V | 10 |
| 817058 | 1*5W LED | N/A | 5.5 | DC12V/DC24V AC100-240V | 10 |

Square recessed LED Wall Light/LED Stair Light

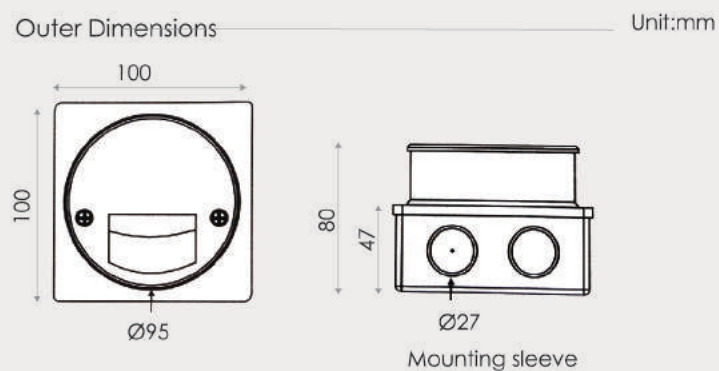
817067,817038 Installation with clips directly



817067,817038

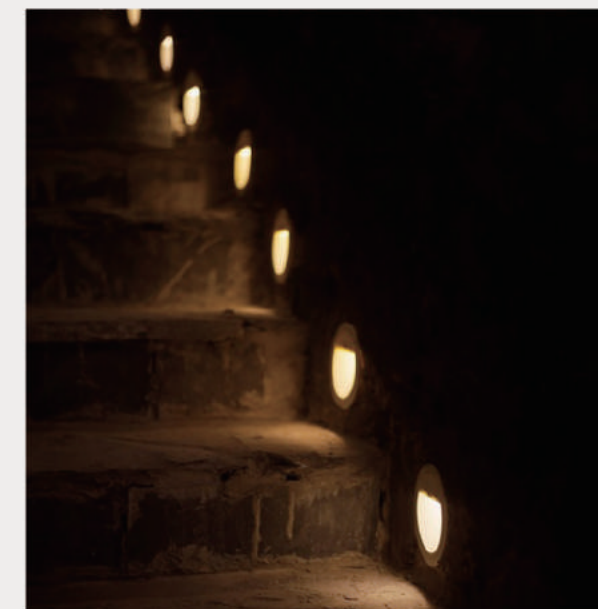


818067,818038



Material specifications

| | |
|------------------------|---|
| Housing | 12#Die-casting powder coated aluminum |
| Glass: | Tempered glass, T=4mm |
| Lens: | Optical lens, efficiency≥85% |
| Cable gland: | Copper and nickel coated |
| Gasket: | Tooling shaped seal |
| LED: | SMD or COB LED |
| PCB: | Excellent heat conductivity aluminum, coefficient of Heat Conductivity≥2.0w/mk |
| Driver: | -20℃~40℃ |
| Operating temperature: | Constant current output single color LED=1-circuit output |
| Power cable: | H05RN-F 2×0.75mm ² L=0.3m(low voltage) H05RN-F 3×0.75mm ² L=0.3m(high voltage) |



Housing color option

| | |
|-----------------------|-------------------------|
| Grey painting RAL9007 | Silver painting RAL9005 |
| Mat black RAL9006 | Customized Colors |



COB LED 3W

| Item No. | Light source | Lens beam angle(°) | Consumption (watt) | Input Voltage(V) | Ik rate |
|----------|--------------|--------------------|--------------------|---------------------------|---------|
| 817067 | SMD5050*3 | N/A | 1.5 | DC12V/DC24V AC100-240V | 10 |
| 817038 | 1*3W LED | N/A | 3.3 | DC12V/DC24V AC100-240V | 10 |
| 818037 | SMD5050*3 | N/A | 1.5 | DC12V/DC24V AC100-240V | 10 |
| 818038 | 1*3W LED | N/A | 3.3 | DC12V/DC24V AC100-240V | 10 |

Spot Light Series



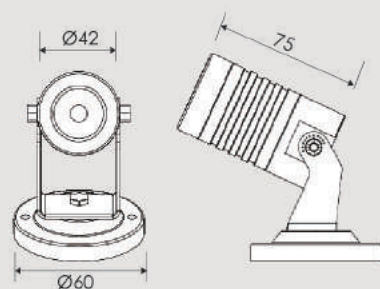
▶ HIGH POWER LED GARDEN LIGHT



8351X

- LED Colour Temperature
 - 2700K • 3000K
 - 4000K • 6000K
- optics
 - 8°/15°/25°/30°/45°/60°/90°

Outer Dimensions Unit:mm



Housing color option

- Aluminum anodized
- Silver painting RAL9005
- Matt black RAL9006

| Item No. | Light source | Lens beam angle(°) | Consumption (watt) | Input Voltage(V) | lk rate |
|------------------|--------------|------------------------|--------------------|--------------------|---------|
| 83311 83511 | 1x1W | 8°/15°/20°/30°/45°/60° | 1.1 | DC12V/DC24V | 02 |
| 83311H 83511H | 1x1W | 8°/15°/20°/30°/45°/60° | 1.3 | AC120V/AC240V | 02 |
| 83312 83512 | 1x2W | 8°/15°/20°/30°/45°/60° | 2.2 | DC12V/DC24V | 02 |
| 83312H 83512H | 1x2W | 8°/15°/20°/30°/45°/60° | 2.6 | AC120V/AC240V | 02 |
| 83316 83516 | 1x3W RGB3in1 | 30°/45°/60° | 3.2 | DC12V/DC24V | 02 |

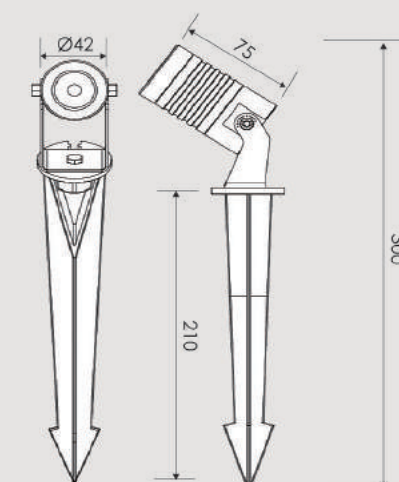
HIGH POWER LED GARDEN LIGHT GARDEN SPIKE LIGHT



8331X

- LED Colour Temperature
 - 2700K • 3000K
 - 4000K • 6000K
- optics
 - 8°/15°/25°/30°/45°/60°/90°

Outer Dimensions Unit:mm



Housing color option

- Aluminum anodized
- Silver painting RAL9005
- Matt black RAL9006

Material specifications

| | |
|------------------------|---|
| Housing | Aluminum anodized finishing or powder painting |
| Glass: | Tempered glass, T=3mm |
| Lens: | Optical lens, efficiency≥85% |
| Cable gland: | Copper and nickel coated |
| Gasket: | Tooling shaped seal |
| LED: | EDISON OR CREE power LED |
| PCB: | Excellent heat conductivity aluminum, coefficient of Heat Conductivity≥2.0w/mk |
| Driver: | Constant current output single color LED=1-circuit output RGB 3in1 LED=3-circuit output |
| Operating temperature: | -20°C~40°C |
| Power cable: | H05RN-F 2x0.75mm ² , L=1m (low voltage) H05RN-F 3x0.75mm ² , L=1m (high voltage) H05RN-F 4x0.75mm ² , L=1m (for RGB) |



▶ LED Garden Spot Light
LED Spike Light



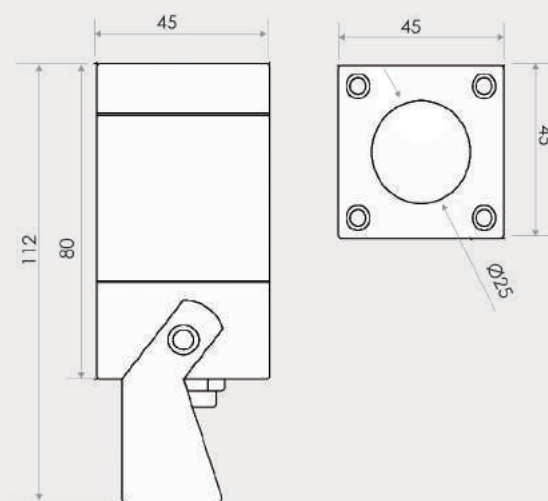
Housing color option

- Aluminum anodized
- Silver painting RAL9005
- Matt black RAL9006

Material specifications

| | |
|------------------------|---|
| Housing | Aluminum anodized finishing or powder painting |
| Glass: | Tempered glass, T=3mm |
| Lens: | Optical lens, efficiency≥85% |
| Cable gland: | Copper and nickel coated |
| Gasket: | Tooling shaped seal |
| LED: | EDISON OR CREE power LED |
| PCB: | Excellent heat conductivity aluminum, coefficient of Heat Conductivity≥2.0w/mk |
| Driver: | Constant current output single color LED=1-circuit output RGB 3in1 LED=3-circuit output |
| Operating temperature: | -20°C~40°C |
| Power cable: | H05RN-F 2x0.75mm ² , L=1m (low voltage) H05RN-F 3x0.75mm ² , L=1m (high voltage) H05RN-F 4x0.75mm ² , L=1m (for RGB) |

Outer Dimensions Unit:mm



Optional accessories-Plastic spike



Optional accessories-Aluminum base



| Item No. | Light source | Lens beam angle(°) | Consumption (watt) | Input Voltage(V) | Ik rate |
|-----------|--------------|------------------------|--------------------|-------------------|---------|
| S83311 | 1x1W | 8°/15°/20°/30°/45°/60° | 1.1 | DC12V/DC24V | 02 |
| S83311H | 1x1W | 8°/15°/20°/30°/45°/60° | 1.3 | AC120V/AC240V | 02 |
| S83312 | 1x2W | 8°/15°/20°/30°/45°/60° | 2.2 | DC12V/DC24V | 02 |
| S83312H | 1x2W | 8°/15°/20°/30°/45°/60° | 2.6 | AC120V/AC240V | 02 |
| S83316 | 1x3W RGB3in1 | 30°/45°/60° | 3.2 | DC12V/DC24V | 02 |
| S83305COB | 1x5W | 15°/30°/45° | 2.2 | DC24V /100-240V | 02 |

▶ HIGH POWER LED LANDSCAPE SPOT LIGHT



832121D/832122D/832126D



83261D/83262D/83266D



832031D/832032D/832036D

- LED Colour Temperature
 - 2700K • 3000K
 - 4000K • 6000K
- optics
 - 8°/15°/25°/30°/45°/60°/90°

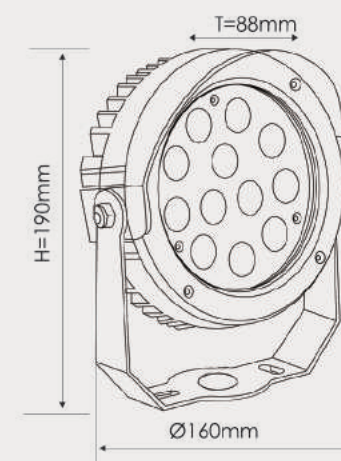
Housing color option

- Dark grey RAL7012
- Silver painting RAL9005
- Matt black RAL9006

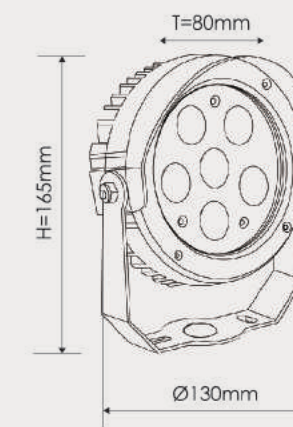
| Item No. | Light source | Lens beam angle(°) | Consumption (watt) | Input Voltage(V) | lk rate |
|----------|---------------|------------------------|--------------------|---------------------|---------|
| 832031D | 3x1W | 8°/15°/20°/30°/45°/60° | 3.3 | DC24V AC100-240V | 07 |
| 832032D | 3x2W | 8°/15°/20°/30°/45°/60° | 7.5 | DC24V AC100-240V | 07 |
| 832036D | 3x3W RGB3in1 | 20°/30°/45°/60° | 9.1 | DC24V | 07 |
| 83261D | 6x1W | 8°/15°/20°/30°/45°/60° | 6.5 | DC24V AC100-240V | 07 |
| 83262D | 6x2W | 8°/15°/20°/30°/45°/60° | 15.0 | DC24V AC100-240V | 07 |
| 83266D | 6x3W RGB3in1 | 20°/30°/45°/60° | 18.3 | DC24V | 07 |
| 832121D | 12x1W | 8°/15°/20°/30°/45°/60° | 12.5 | DC24V AC100-240V | 07 |
| 832122D | 12x2W | 8°/15°/20°/30°/45°/60° | 30.0 | DC24V AC100-240V | 07 |
| 832126D | 12x3W RGB3in1 | 20°/30°/45°/60° | 35.5 | DC24V | 07 |

Outer Dimensions

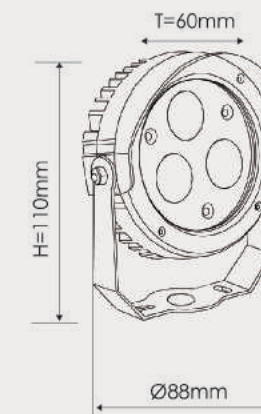
Unit:mm



832121D/832122D/832126D



83261D/83262D/83266D



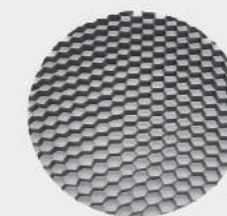
832031D/832032D/832036D

Optional accessories

a.Aluminum Anti-glare hood



b.Honecomb



c.Aluminum base

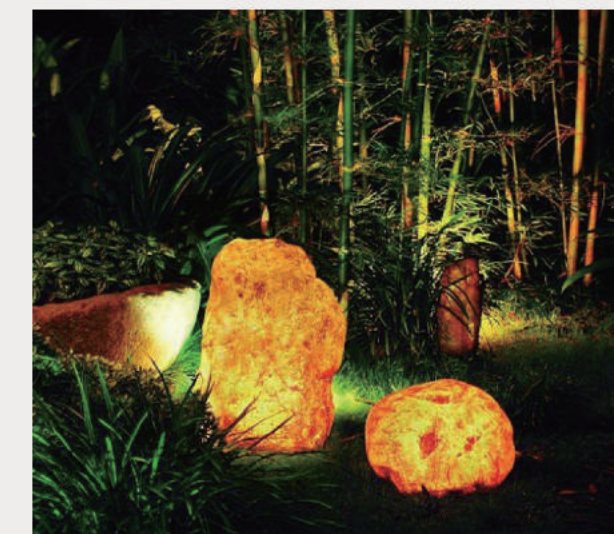


d.Aluminum spike



Material specifications

| | |
|------------------------|--|
| Housing | 12# Die-casting outdoor powder coated aluminum T=60-80µm. |
| Glass: | Tempered glass, T=4mm |
| Lens: | Optical lens,efficiency≥85% |
| Cable gland: | IP-68 PG-9 copper and nickel coated |
| Gasket: | Molding shaped silicone double seal |
| LED: | CREE XP-E LED/EDISON LED |
| PCB: | Excellent heat conductivity aluminum,coefficient of Heat conductivity≥2.0w/mk |
| Driver: | Constant current output Single color LED=1 -circuit output RGB 3in1 LED =3-circuit output |
| Operating temperature: | -20°C-40°C |
| Power cable: | H05RN-F 2x0.75m² L=1m (low voltage) H05RN-F 3x0.75mm² L=1m (high voltage) H05RN-F 4x0.75mm² L=1m (for RGB) |
| Spike : | PVC |
| Mounting base: | Powder coated die-casting aluminum |



▶ LED GARDEN SPIKE LIGHT & LED LAWN LIGHT



8383x



83836-RF
83836-IR



RF/IR remote controller



▶ RGB LED GARDEN SPOT LIGHT



8303X



83036-RF
83036-IR



RF/IR remote controller

Housing color option

Grey painting RAL9007

Silver painting RAL9005

Matt black RAL9006

LED Colour Temperature

- 2700K • 3000K
- 4000K • 6000K

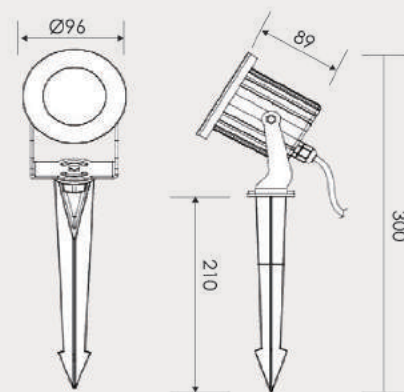
optics

- 8°/15°/25°/30°/45°/60°/90°

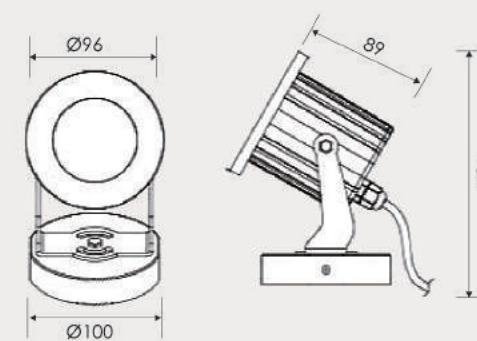
Material specifications

| | |
|----------------|---|
| Housing | 12#Die-casting powder coated aluminum, T=60-80μm Adhesion of ISO class 1/ASTM class 4B |
| Frontcover: | Stainless steel SUS 304 or 316 |
| Bracket: | Powder coated aluminum |
| Glass: | Tempered glass, T=4mm |
| Lens: | Optical lens, efficiency ≥ 85% |
| Cable gland: | IP-67 PG-9 PVC |
| Gasket: | Molding shaped silicone double seal |
| Power cable: | HO5RN-F 3x0.75mm ² L=1m |
| Spike: | PVC(grey or black) |
| Mounting base: | Powder coated die-casting aluminum |

Outer Dimensions Unit:mm



Outer Dimensions Unit:mm



| Item No. | Light source | Lens beam angle(°) | Consumption (watt) | Input Voltage(V) | Ik rate |
|------------------|--------------|------------------------|--------------------|------------------|---------|
| 83831 83031 | 3x1W | 8°/15°/20°/30°/45°/60° | 3.2 | DC12V/DC24V | 04 |
| 83831H 83031H | 3x1W | 8°/15°/20°/30°/45°/60° | 3.5 | AC120V/AC240V | 04 |
| 83832 83032 | 3x2W | 8°/15°/20°/30°/45°/60° | 6.2 | DC12V/DC24V | 04 |
| 83832H 83032H | 3x2W | 8°/15°/20°/30°/45°/60° | 7.5 | AC120V/AC240V | 04 |
| 83836 83036 | 3x3W RGB3in1 | 30°/45°/60° | 3.2 | DC12V/DC24V | 04 |

▶ HIGH POWER LED Landscape Light

▶ LED Garden Spot Light



8355XB



8355X

- LED Colour Temperature
- 2700K • 3000K
- 4000K • 6000K

- optics
- 8°/15°/25°/30°/45°/60°/90°

Housing color option

- Aluminum anodized
- Silver painting RAL9005
- Matt black RAL9006

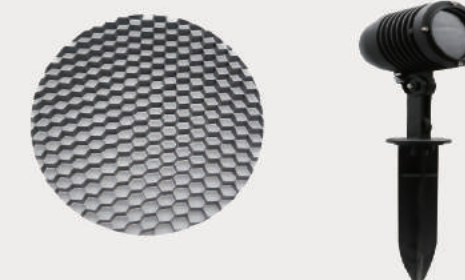
| Item No. | Light source | Lens beam angle(°) | Consumption (watt) | Input Voltage(V) | Ik rate |
|-------------------|--------------|------------------------|--------------------|--------------------|---------|
| 83551 83551B | 5x1W | 8°/15°/20°/30°/45°/60° | 5.3 | DC24V | 05 |
| 83551H 83551BH | 5x1W | 8°/15°/20°/30°/45°/60° | 6.1 | AC120V/AC240V | 05 |
| 83552 83552B | 5x2W | 8°/15°/20°/30°/45°/60° | 10.4 | DC24V | 05 |
| 83552H 83552BH | 5x2W | 8°/15°/20°/30°/45°/60° | 12.5 | AC120V/AC240V | 05 |
| 83556 83556B | 5x3W RGB3in1 | 30°/45°/60° | 15.1 | DC24V | 05 |

Optional accessories

a.Aluminum Anti-glare hood

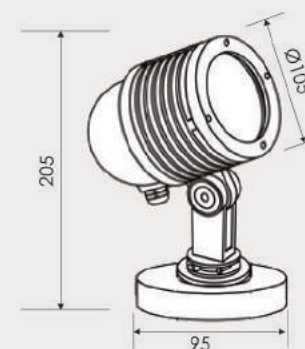


b.Honecomb

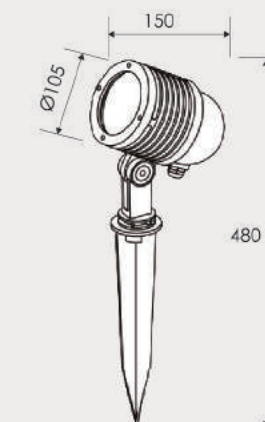


Outer Dimensions

Unit:mm



8355X



8355XB

Material specifications

| | |
|------------------------|---|
| Housing | 12# Die-casting outdoor powder coated aluminum T=60-80μm. |
| Glass: | Tempered glass, T=4mm |
| Lens: | Optical lens, efficiency≥85% |
| Cable gland: | IP-68 PG-9 copper and nickel coated |
| Gasket: | Molding shaped silicone double seal |
| LED: | CREE XP-E LED/EDISON LED |
| PCB: | Excellent heat conductivity aluminum, coefficient of Heat conductivity≥2.0w/mk |
| Driver: | Constant current output Single color LED=1 -circuit output RGB 3in1 LED =3-circuit output |
| Operating temperature: | -20°C-40°C |
| Power cable: | H05RN-F 2x0.75mm² L=1m (low voltage) H05RN-F 3x0.75mm² L=1m (high voltage) H05RN-F 4x0.75mm² L=1m (for RGB) |
| Spike : | PVC |
| Mounting base: | Powder coated die-casting aluminum |



▶ GU10&MR16&E27 Changeable Socket spot light



835110B



835110BD



Input voltage is according to LED bulb spec



838110



830110



Input voltage is according to LED bulb spec

Housing color option

- Aluminum anodized
- Silver painting RAL9005
- Matt black RAL9006

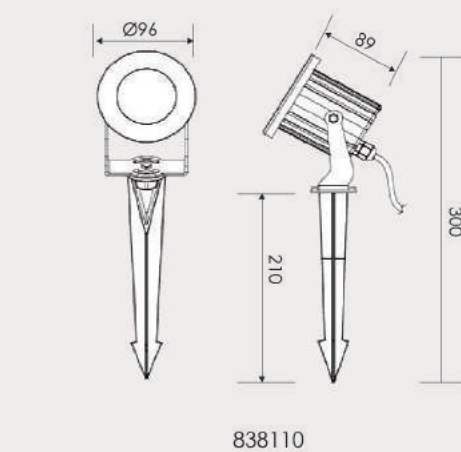
Outer Dimensions Unit:mm

Housing color option

- Aluminum anodized
- Silver painting RAL9005
- Matt black RAL9006

Outer Dimensions Unit:mm

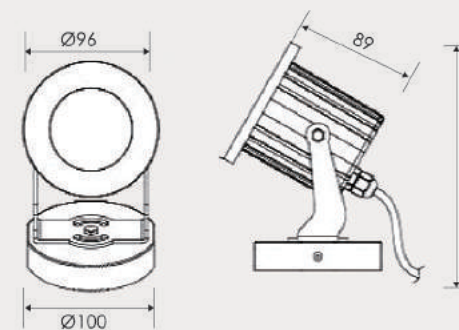
Material specifications



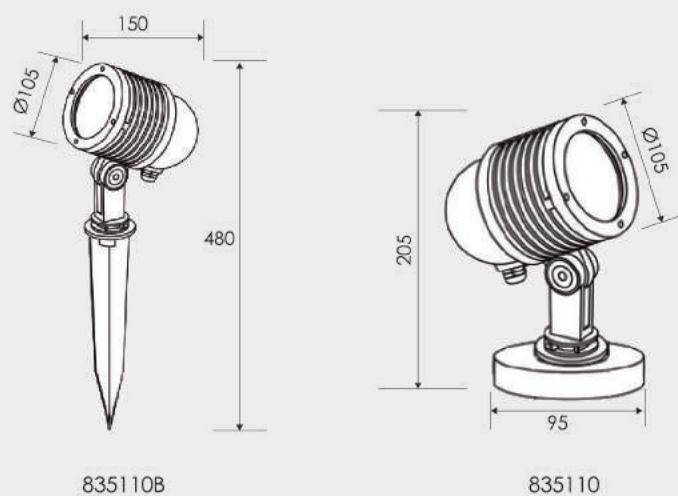
838110

Material specifications

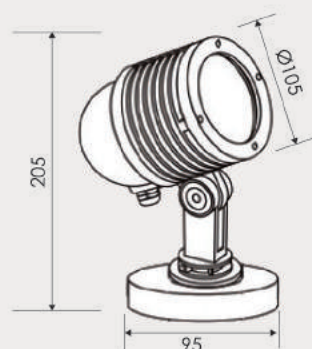
| | |
|----------------|---|
| Housing | 12# Die-casting powder coated aluminum, T=60-80µm |
| Adhesion | Adhesion of ISO class 1/ASTM class 4B |
| Frontcover: | Stainless steel SUS 304 or 316 |
| Bracket: | Powder coated aluminum |
| Glass: | Tempered glass, T=4mm |
| Lens: | Optical lens, efficiency ≥85% |
| Cable gland: | IP-67 PG-9 PVC |
| Gasket: | Molding shaped silicone double seal |
| Power cable: | H05RN-F 3x0.75mm² L=1m |
| Spike: | PVC (grey or black) |
| Mounting base: | Powder coated die-casting aluminum |



830110



835110B



835110

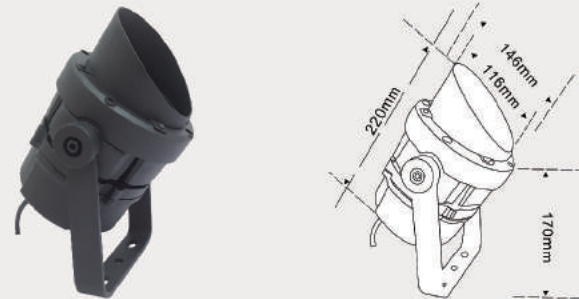
High Power LED Garden Spot Light

PWM /0-10V/DALI/TRIAC



B83212X

- LED Colour Temperature
 - 2700K • 3000K
 - 4000K • 6000K
- optics
 - 8°/15°/25°/30°/45°/60°/90°



Material specifications

| | |
|------------------------|--|
| Housing | 12# Die-casting grey powder coated aluminum T=60-80µm . Adhesion of ISO class I/ASTM class 4B |
| Glass: | Tempered glass. T=hmm |
| Lens: | Optical lens,efficiency≥85% |
| Cable gland: | IP-68 PG-9 copper and nickel coated |
| Gasket: | Molding shaped silicone double seal |
| LED: | CREE XP-E LED/EDISON LED |
| PCB: | Excellent heat conductivity aluminum. coefficient of Heat Conductivity≥2.0w/mk |
| Driver: | Constant current output Single color LED=1 -circuit output RGB 3in1 LED =3-circuit output |
| Operating temperature: | -20°C-40°C |
| Power cable: | H05RN-F 2x0.75m2 L=1m (low voltage) H05RN-F 3x0.75mm2 L=1m (high voltage) H05RN-F 4x0.75mm2 L=1m (for RGB) |



| Item No. | Light source | Lens beam angle(°) | Consumption (watt) | Input Voltage(V) | lk rate |
|----------|---------------|------------------------|--------------------|------------------|---------|
| B832121 | 12x1W | 8°/15°/20°/30°/45°/60° | 13.2 | DC24V/AC100-240V | 07 |
| B832122 | 12x2W | 8°/15°/20°/30°/45°/60° | 24.5 | DC24V/AC100-240V | 07 |
| B832123 | 12x1W RGB | 8°/15°/20°/30°/45°/60° | 12.2 | DC24V | 07 |
| B832124 | 12x2W RGB | 8°/15°/20°/30°/45°/60° | 25.5 | DC24V | 07 |
| B832126 | 12x3W RGB3in1 | 30°/45°/60° | 36.4 | DC24V | 07 |

LED Landscape Spot Light

PWM /0-10V/DALI/TRIAC



83236xS

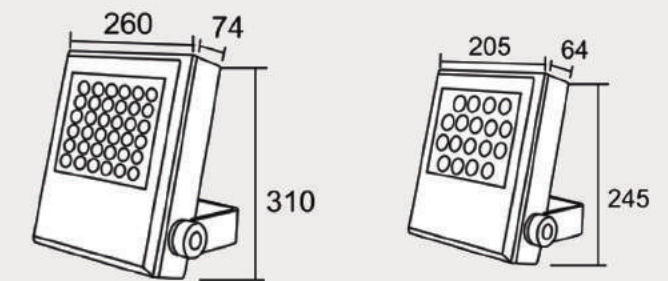
- LED Colour Temperature
 - 2700K • 3000K
 - 4000K • 6000K
- optics
 - 8°/15°/25°/30°/45°/60°/90°



83218xS

Material specifications

| | |
|------------------------|--|
| Housing | 12# Die-casting grey powder coated aluminum T=60-80µm . Adhesion of ISO class I/ASTM class 4B |
| Glass: | Tempered glass. T=4mm |
| Lens: | Optical lens,efficiency≥85% |
| Cable gland: | IP-68 PG-9 copper and nickel coated |
| Gasket: | Molding shaped silicone double seal |
| LED: | CREE XP-E LED/EDISON LED |
| PCB: | Excellent heat conductivity aluminum. coefficient of Heat Conductivity≥2.0w/mk |
| Driver: | Constant current output Single color LED=1 -circuit output RGB 3in1 LED =3-circuit output |
| Operating temperature: | -20°C-40°C |
| Power cable: | H05RN-F 2x0.75m2 L=1m (low voltage) H05RN-F 3x0.75mm2 L=1m (high voltage) H05RN-F 4x0.75mm2 L=1m (for RGB) |



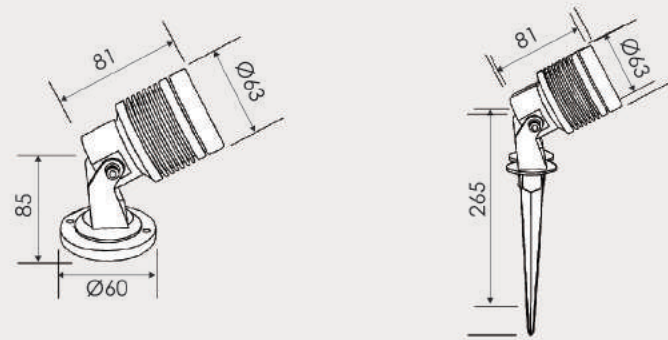
| Item No. | Light source | Lens beam angle(°) | Consumption (watt) | Input Voltage(V) | lk rate |
|----------|--------------|------------------------|--------------------|-------------------|---------|
| 832181S | 18x1W | 8°/15°/20°/30°/45°/60° | 18.5 | DC24V /AC100-240V | 08 |
| 832182S | 18x2W | 8°/15°/20°/30°/45°/60° | 37.2 | DC24V/AC100-240V | 08 |
| 832361S | 36x1W | 8°/15°/20°/30°/45°/60° | 36.5 | DC24V/AC100-240V | 08 |
| 832362S | 36x2W | 8°/15°/20°/30°/45°/60° | 72.1 | DC24V/AC100-240V | 08 |

▶ COB LED Garden Spot Light/COB LED spike light



- LED Colour Temperature
 - 2700K • 3000K
 - 4000K • 6000K
- optics
 - 8°/15°/25°/30°/45°/60°/90°

Outer Dimensions Unit:mm



Material specifications

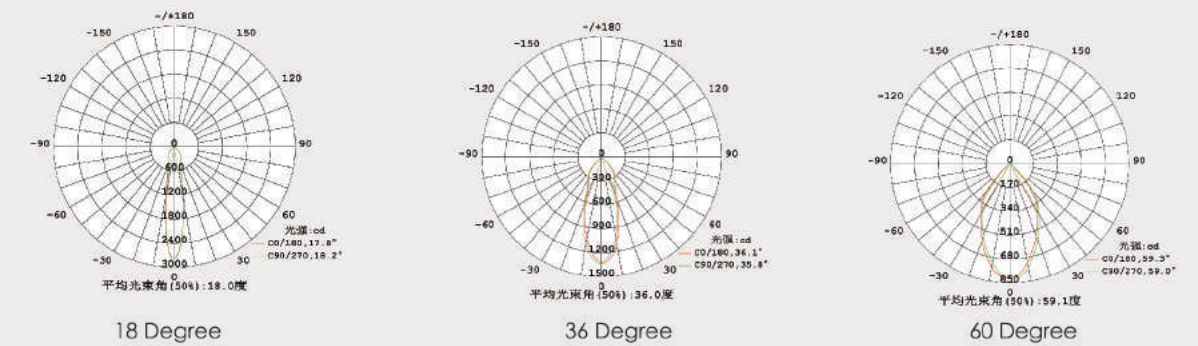
| | |
|----------------|---|
| Housing | Aluminum anodized finishing & powder painting |
| Glass: | Tempered glass, T=3mm |
| Lens: | Optical lens, efficiency≥85% |
| Cable gland: | Copper and nickel coated |
| Gasket: | Tooling shaped seal |
| LED: | CREE COB LED |
| Driver: | Constant current output |
| Spike: | PVC(grey or black) |
| Mounting base: | Aluminum anodized finishing or powder painting. |
| Power cable: | H05RN-F 2x0.75mm ² L=1m(low voltage) H05RN-F 3x0.75mm ² L=1m(high voltage) |



B83506COB with hood



7W CREE COB Distribution Curve Flux:



| Item No. | Light source | Lens beam angle(°) | Consumption (watt) | Input Voltage(V) | Ik rate |
|------------------------|--------------|--------------------|--------------------|------------------|---------|
| B83306COB B83506COB | 1x6W CREE | 15°/25°/38°/60° | 5.3 | DC12V/DC24V | 04 |
| B83306COB B83506COB | 1x6W CREE | 15°/25°/38°/60° | 6.5 | AC120V/AC240V | 04 |

▶ COB LED Garden Spot Light/COB LED spike light



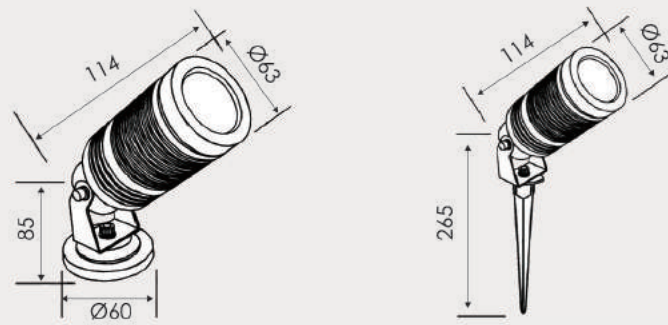
B83510COB



B83310COB

- LED Colour Temperature
 - 2700K • 3000K
 - 4000K • 6000K
- optics
 - 8°/15°/25°/30°/45°/60°/90°

Outer Dimensions Unit:mm



Optional accessories
Aluminum Anti-glare hood

Material specifications

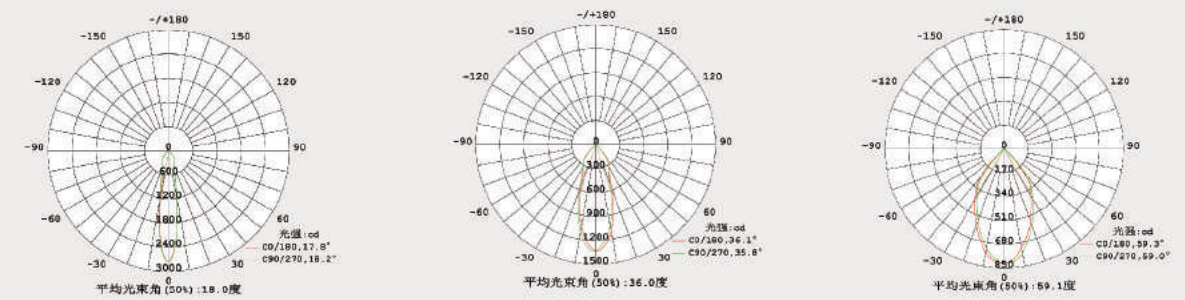
| | |
|----------------|---|
| Housing | Aluminum anodized finishing & powder painting |
| Glass: | Tempered glass, T=3mm |
| Lens: | Optical lens, efficiency≥85% |
| Cable gland: | Copper and nickel coated |
| Gasket: | Tooling shaped seal |
| LED: | CREE COB LED |
| Driver: | Constant current output |
| Spike: | PVC(grey or black) |
| Mounting base: | Aluminum anodized finishing or powder painting. |
| Power cable: | H05RN-F 2x0.75mm ² L=1m(low voltage) H05RN-F 3x0.75mm ² L=1m(high voltage) |



with Anti-glare hood



7W CREE COB Distribution Curve Flux:



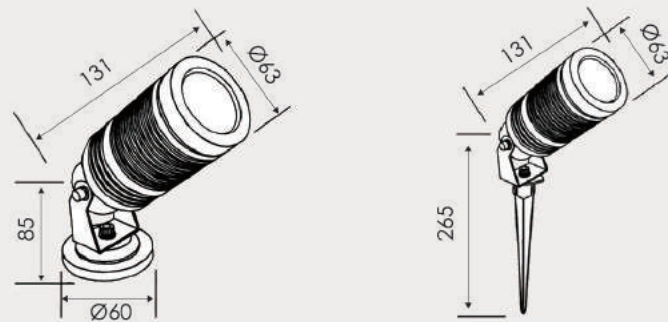
| Item No. | Light source | Lens beam angle(°) | Consumption (watt) | Input Voltage(V) | Ik rate |
|------------------------|--------------|--------------------|--------------------|------------------|---------|
| B83310COB B83510COB | 1x10W CREE | 15°/25°/38°/60° | 10.5 | DC12V/DC24V | 04 |
| B83310COB B83510COB | 1x10W CREE | 15°/25°/38°/60° | 11.2 | AC120V/AC240V | 04 |

▶ COB LED Garden Spot Light/COB LED spike light



- LED Colour Temperature
 - 2700K • 3000K
 - 4000K • 6000K
- optics
 - 8°/15°/25°/30°/45°/60°/90°

Outer Dimensions Unit:mm



Material specifications

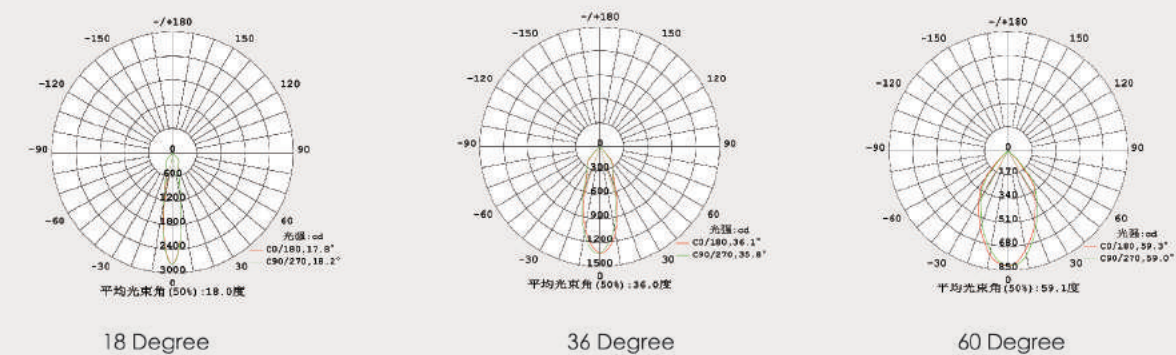
| | |
|----------------|---|
| Housing | Aluminum anodized finishing & powder painting |
| Glass: | Tempered glass, T=3mm |
| Lens: | Optical lens, efficiency≥85% |
| Cable gland: | Copper and nickel coated |
| Gasket: | Tooling shaped seal |
| LED: | CREE COB LED |
| Driver: | Constant current output |
| Spike: | PVC(grey or black) |
| Mounting base: | Aluminum anodized finishing or powder painting. |
| Power cable: | H05RN-F 2x0.75mm ² L=1m(low voltage) H05RN-F 3x0.75mm ² L=1m(high voltage) |



With Anti-glare hood



7W CREE COB Distribution Curve Flux:

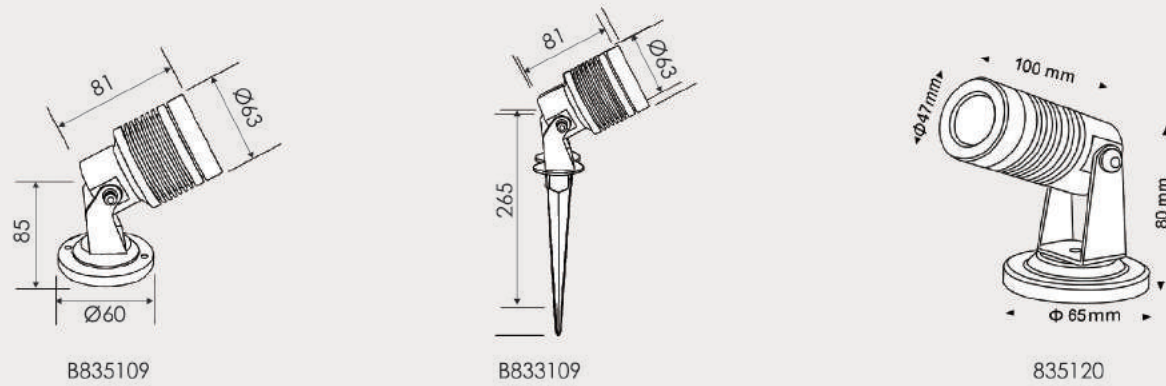


| Item No. | Light source | Lens beam angle(°) | Consumption (watt) | Input Voltage(V) | Ik rate |
|------------------------|--------------|--------------------|--------------------|------------------|---------|
| B83314COB B83514COB | 1x14W CREE | 15°/25°/38°/60° | 14.1 | DC12V/DC24V | 04 |
| B83314COB B83514COB | 1x14W CREE | 15°/25°/38°/60° | 15.2 | AC120V/AC240V | 04 |

► RGBW 4in1 LED Garden Spot Light



Outer Dimensions Unit:mm

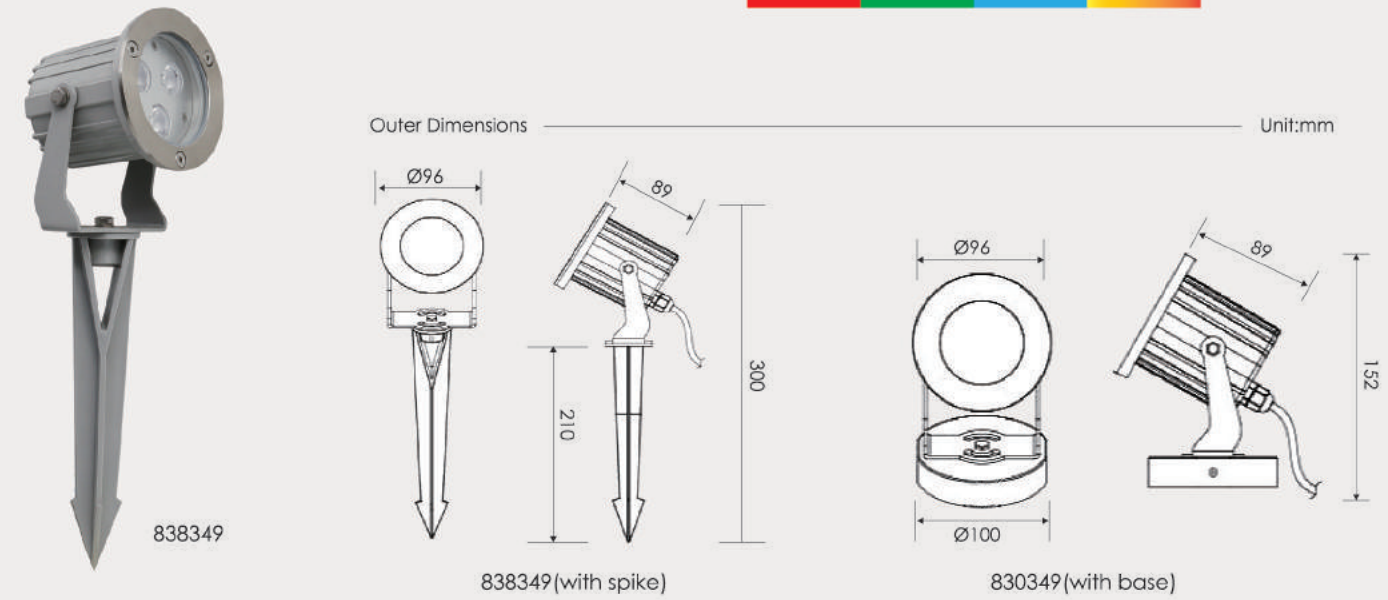


Material specifications

| | |
|----------------|---|
| Housing | Aluminum anodized finishing & powder painting |
| Glass: | Tempered glass, T=3mm |
| Lens: | Optical lens, efficiency≥85% |
| Cable gland: | Copper and nickel coated |
| Gasket: | Tooling shaped seal |
| LED: | RGBW4in1 LED |
| Driver: | Constant current output |
| Spike: | PVC(grey or black) |
| Mounting base: | Aluminum anodized finishing or powder painting. |
| Power cable: | H05RN-F 5x0.5mm ² L=1m(low voltage) |



► RGBW 4in1 LED Landscape Light



Material specifications

| | |
|----------------|---|
| Housing | 12#Die-casting powder coated aluminum. T=60-80μm Adhesion of ISO class 1/ASTM class 4B |
| Front cover: | Stainless steel SUS 304 or 316 |
| Bracket: | Powder coated aluminum |
| Glass: | Tempered glass, T=4mm |
| Lens: | Optical lens, efficiency≥85% |
| Cable gland: | IP-67 PG-9 PVC |
| Gasket: | Molding shaped silicone double seal |
| Power cable: | H05RN-F 3x0.75mm ² L=1m |
| Spike: | PVC(grey or black) |
| Mounting base: | Powder coated die-casting aluminum |



| Item No. | Light source | Lens beam angle(°) | Consumption (watt) | Input Voltage(V) | lk rate |
|--------------------|---------------------------------------|--------------------|--------------------|------------------|---------|
| B833109 B835109 | 1x10W RGBW4in1 (W=3000/4000/6000k) | 24°/36°/60°/10x30° | 10.2 | DC12V/DC24V | 04 |
| 835120 | 1x10W RGBW4in1 (W=3000/4000/6000k) | 24°/36°/60°/10x30° | 10.2 | DC12V/DC24V | 04 |
| 83832 83032 | 3x4W RGBW4in1 (W=3000/4000/6000k) | 30°/45°/60° | 13.2 | DC24V | 04 |



IP67
OUTDOOR RATED

**LED Inground Light Series
& LED Step Light**



Diffuser Tiny type LED underground light/Floor Light

Stainless steel face cover(with frosted glass)



B82711/B82712/B82737

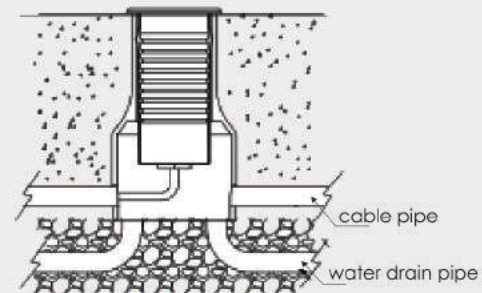
B82711S/B82712S/B82737S

82711/82712

Material specifications

| | |
|----------------------------|--|
| Housing: | Aluminum with outdoor dark grey powder coated T=60-80um Adhesion of ISO class 1 /ASTM class 4B |
| Front cover: | 304# or 316#StainlessSteel |
| Lens: | Optical lens, efficiency≥85% |
| Glass: | Tempered step glass T=4mm |
| Glass pressure capacity: | Full area =250kgs |
| Gasket: | Molding shaped silicone seal |
| Operating temperature: | -20°C ~ 40°C |
| Power cable: | H05RN-F 2×0.75mm² L=0.5m(low voltage) H05RN-F 3×0.75mm² L=0.5m(for Single color /high voltage) H05RN-F 4×0.75mm² L=0.5m(for RGB) |
| Mounting sleeve(optional): | ABS |

Installation diagram



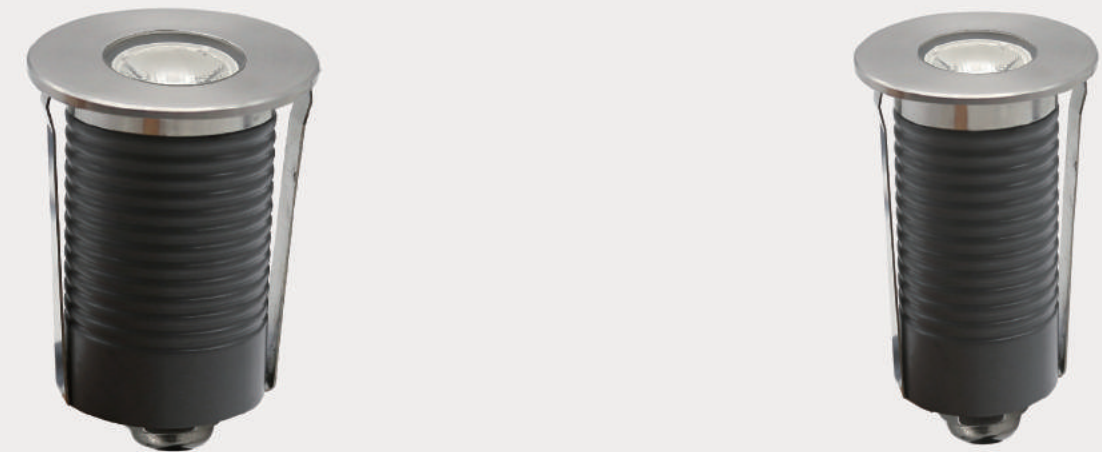
*Note:

- 1.If the input voltage is high voltage, the item number with "H"
- 2.If the lens is Asymmetrical, the item number with "AS"
- 3.Any special customized, to be confirmed

| Item No. | Light source | Lens beam angle(°) | Consumption (watt) | Input Voltage (V) | lk rate |
|----------------------|--------------------------|-----------------------------|--------------------|------------------------------|---------|
| 82711/B82711/B82711S | 1x1W LED | 8°/15°/30°/45°/60° | 1.2 | DC12V DC24V AC100-240V | 08 |
| 82712/B82712/B82712S | 1x2W LED | 8°/15°/30°/45°/60° | 2.6 | DC12V DC24V AC100-240V | 08 |
| B82737/B82737S | 3xSMD5050 RGB3in1 LED | frosted glass (diffuser) | 2.0 | DC12V DC24V | 08 |

Up light Mini LED Inground light/LED step light

Stainless steel face cover(with lens&clear glass)

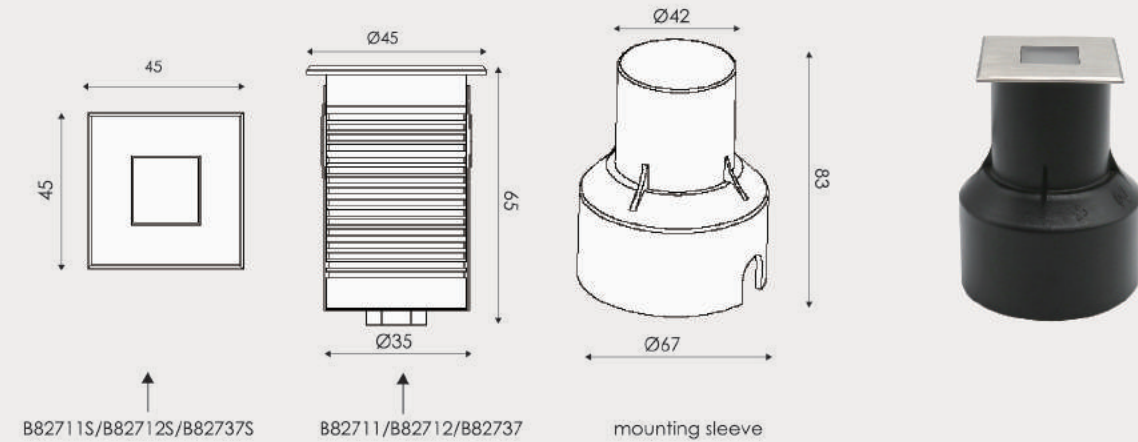


B82711/B82712

82711/82712

Outer Dimersions:

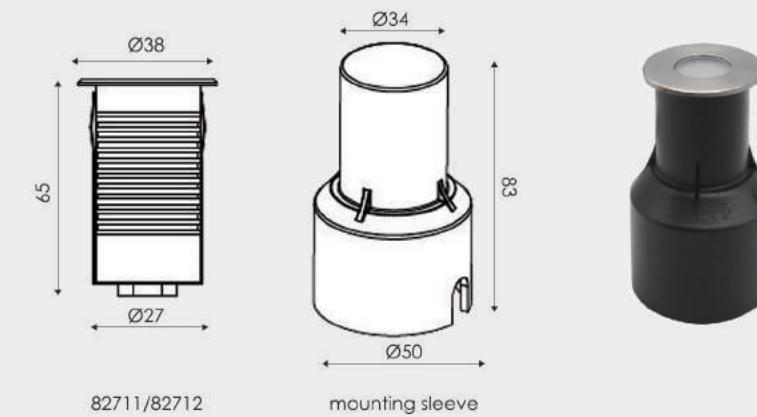
Unit:mm



B82711S/B82712S/B82737S

B82711/B82712/B82737

mounting sleeve



82711/82712

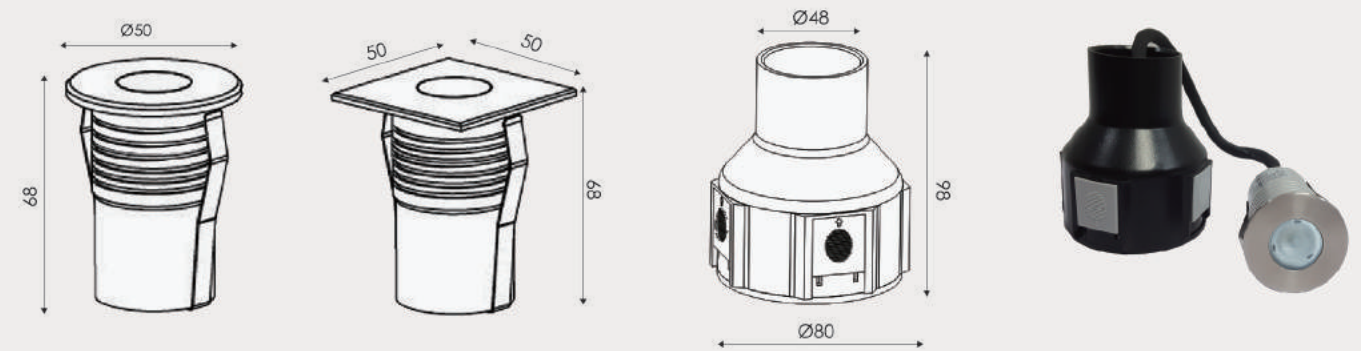
mounting sleeve

LED underground light/Inground up light

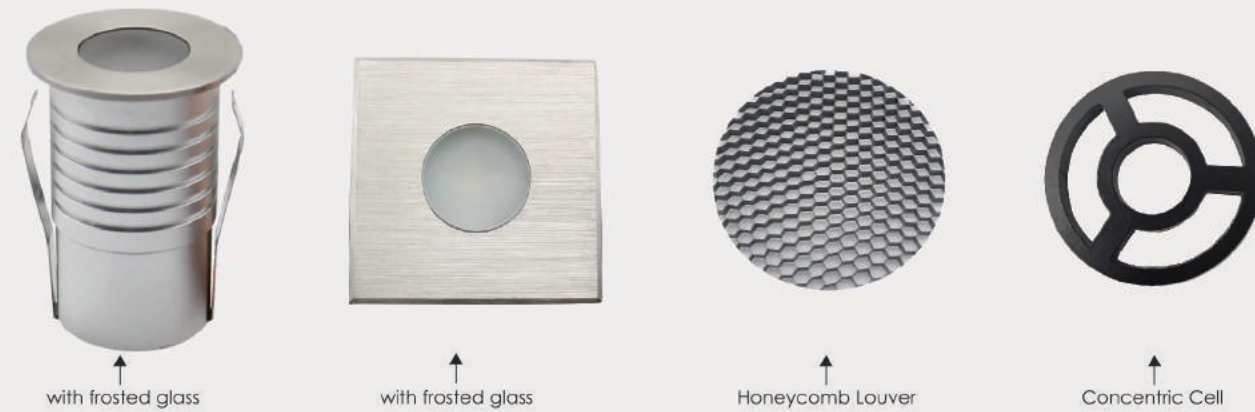
Stainless steel face cover



Outer Dimensions: _____ Unit:mm



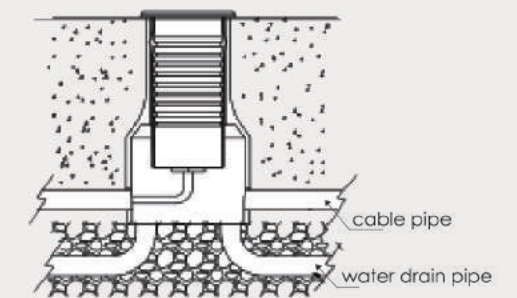
With frosted glass/Honeycomb Louver/Concentric Cell



Material specifications _____

| | |
|--------------------------|--|
| Housing: | Outdoor dark grey powder coated aluminum T=60-80um Adhesion of ISO class 1/ASTM class 4B |
| Front cover: | 304# or 316#Stainless Steel |
| Lens: | Optical lens, efficiency≥85% |
| Glass: | Tempered step glass T=12mm |
| Glass pressure capacity: | Full area = 1700kgs |
| Gasket: | Molding shaped silicone seal |
| Operating temperature: | -20°C ~ 40°C |
| Power cable: | H05RN-F 2×0.75mm ² L=0.5m (low voltage) H05RN-F 3×0.75mm ² L=0.5m (for Single color/high voltage) H05RN-F 4×0.75mm ² L=0.5m (for RGB) |
| Mounting sleeve: | ABS |

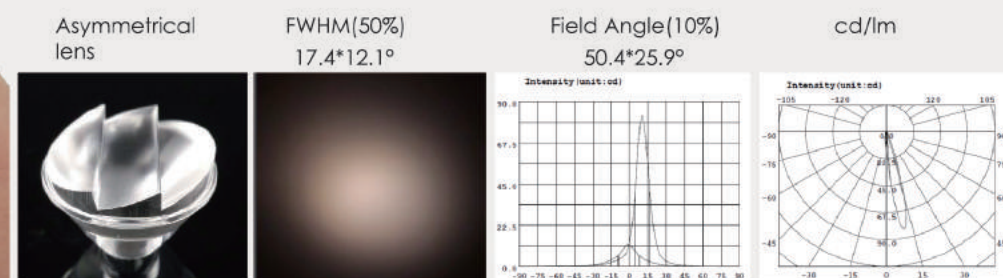
Installation diagram _____



Asymmetrical LED Inground light



Asymmetrical lens



***Note:**
 1.If the input voltage is high voltage, the item number with "H"
 2.If the lens is Asymmetrical, the item number with "AS"
 3.Any special customized, to be confirmed

| Item No. | Light source | Lens beam angle(°) | Consumption (watt) | Input Voltage(V) | Ik rate |
|----------------------|------------------|--------------------|--------------------|------------------------------|---------|
| 82011/82011S/82011AS | 1x1W LED | 8°/15°/30°/45°/60° | 1.2 | DC12V DC24V AC100-240V | 08 |
| 82012/82012S/82012AS | 1x2W LED | 8°/15°/30°/45°/60° | 2.6 | DC12V DC24V AC100-240V | 08 |
| 82016/82016S/82016AS | 1x3W RGB3in1 LED | 30°/45°/60° | 3.1 | DC12V DC24V | 08 |

82011AS/82012AS/82016AS

LED underground light/Inground up light with stainless steel face cover



82511/82512/82516



82511S/82512S/82516S

Material specifications

| | |
|--------------------------|--|
| Housing: | Outdoor dark grey powder coated aluminum T=60-80um Adhesion of ISO class 1/ASTM class 4B |
| Front cover: | 304# or 316# Stainless Steel |
| Lens: | Optical lens, efficiency > 85% |
| Glass: | Tempered step glass T=7mm |
| Glass pressure capacity: | Full area = 1700kgs |
| Gasket: | Molding shaped silicone seal |
| Operating temperature: | -20°C ~ 40°C |
| Power cable: | H05RN-F 2×0.75mm ² L=0.5m (low voltage) H05RN-F 3×0.75mm ² L=0.5m (for Single color/high voltage) H05RN-F 4×0.75mm ² L=0.5m (for RGB) |
| Mounting sleeve: | ABS |



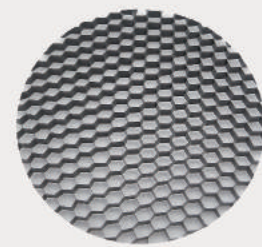
With Diffused glass/Honeycomb Louver/Concentric Cell



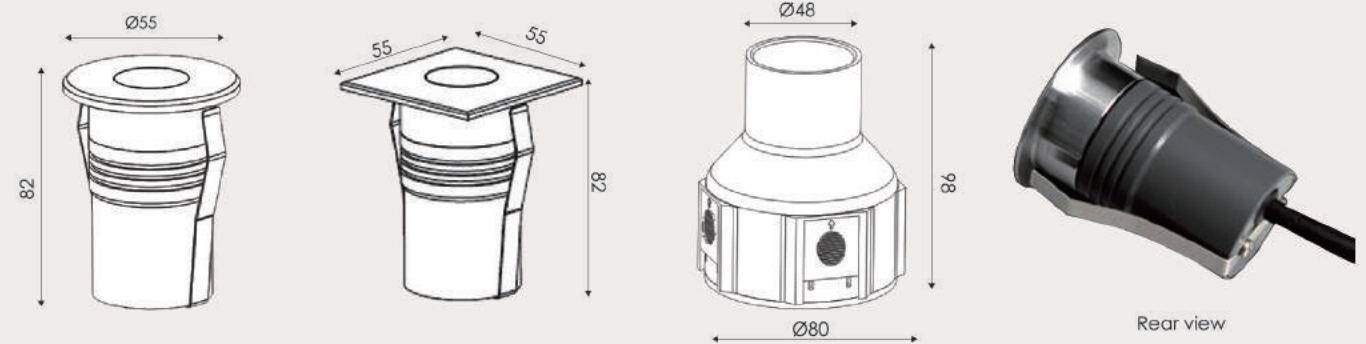
D82517S



D82517



Outer Dimensions: Unit:mm

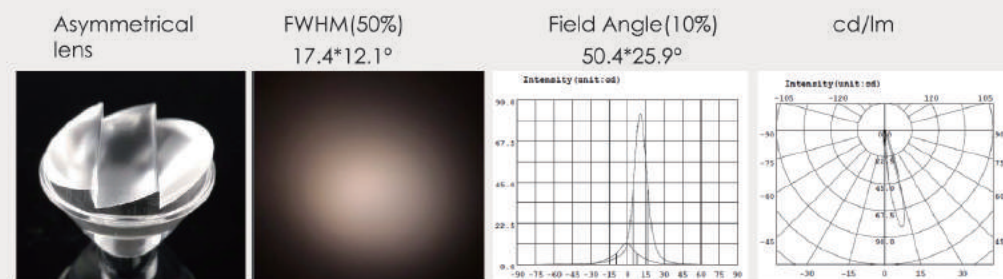


Asymmetrical LED Inground light



82511AS/82512AS/82516AS

Asymmetrical lens



*Note:

- 1.If the input voltage is high voltage, the item number with "H"
- 2.If the lens is Asymmetrical, the item number with "AS"
- 3.Any special customized, to be confirmed

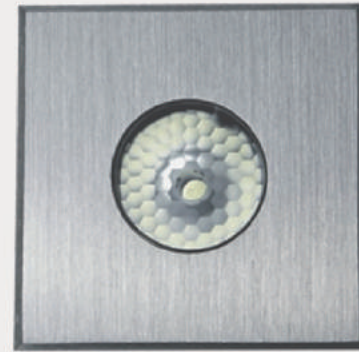
| Item No. | Light source | Lens beam angle(°) | Consumption (watt) | Input Voltage(V) | Ik rate |
|----------------------|------------------|--------------------|--------------------|------------------------------|---------|
| 82511/82511S/82511AS | 1x1W LED | 8°/15°/30°/45°/60° | 1.2 | DC12V DC24V AC100-240V | 08 |
| 82512/82512S/82512AS | 1x2W LED | 8°/15°/30°/45°/60° | 2.6 | DC12V DC24V AC100-240V | 08 |
| 82516/82516S/82516AS | 1x3W RGB3in1 LED | 30°/45°/60° | 3.1 | DC12V DC24V | 08 |
| D82517/D82517S | 1x0.5W LED | 120° | 0.5 | DC12V DC24V AC100-240V | 08 |

Mini&Thin LED Inground light/Floor Light

with stainless steel face cover

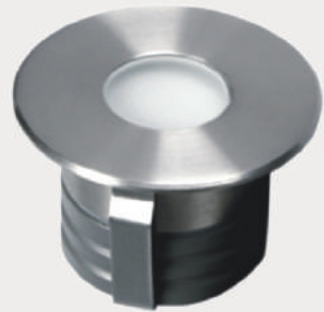


X82511/X82512

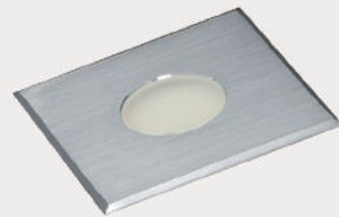


X82511S/X82512S

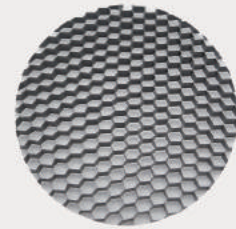
With Diffused glass/Honeycomb Louver/Concentric Cell



DX82517/DX82536



DX82517S/DX82537S

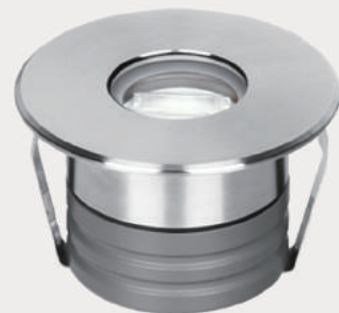


honeycomb louver



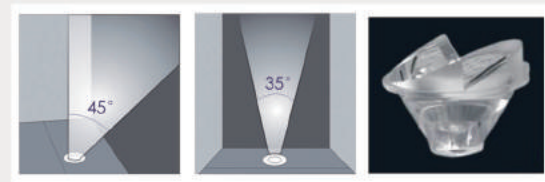
concentric cell

Asymmetrical LED Inground light

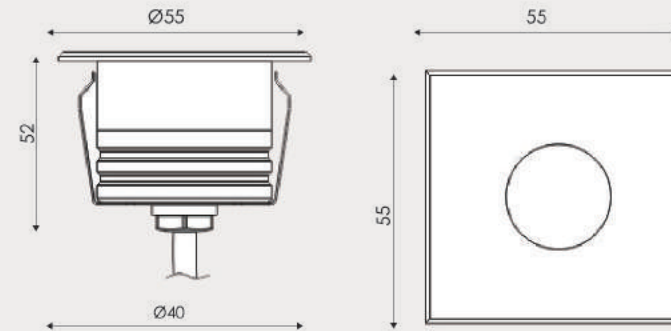


X82511AS/X82512AS

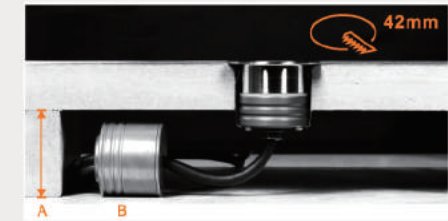
Asymmetrical lens



Outer Dimensions: _____ Unit:mm



For DC input version(built-in driver)



A:Minimum space for external driver is 50mm
B:IP67 120V/240V/RGB external input driver

For AC input version(external driver)

Material specifications

| | |
|----------------------------|---|
| Housing: | Outdoor dark grey powder coated aluminum T=60-80um Adhesion of ISO class 1/ASTM class 4B |
| Front cover: | 304# or 316# Stainless Steel |
| Lens: | Optical lens, efficiency≥85% |
| Glass: | Tempered step glass T=7mm |
| Glass pressure capacity: | Full area =1700kgs |
| Gasket: | Molding shaped silicone seal |
| Operating temperature: | -20°C ~ 40°C |
| Power cable: | H05RN-F 2×0.75mm ² L=0.5m(low voltage) H05RN-F 3×0.75mm ² L=0.5m(for Single color/high voltage) H05RN-F 4×0.75mm ² L=0.5m(for RGB) |
| Mounting sleeve(optional): | ABS |



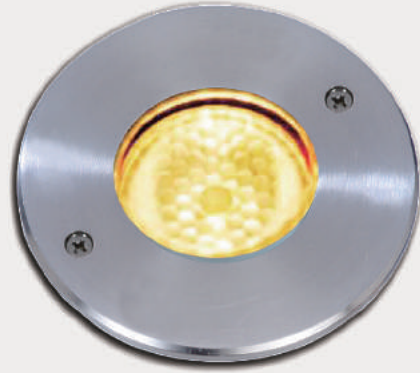
*Note:

- 1.If the input voltage is high voltage, the item number with "H"
- 2.If the lens is Asymmetrical, the item number with "AS"
- 3.Any special customized, to be confirmed

| Item No. | Light source | Lens beam angle(°) | Consumption (watt) | Input Voltage(V) | Ik rate |
|-------------------------|-----------------------|--------------------------|--------------------|------------------------------|---------|
| X82511/X82511S/X82511AS | 1x1W LED | 8°/15°/30°/45°/60° | 1.2 | DC12V DC24V AC100-240V | 08 |
| X82512/X82512S/X82512AS | 1x2W LED | 8°/15°/30°/45°/60° | 2.6 | DC12V DC24V AC100-240V | 08 |
| DX82537/DX82537 | 3xSMD5050 RGB3in1 LED | frosted glass (diffuser) | 2.0 | DC12V DC24V | 08 |
| DX82517/DX82517S | 1x0.5W LED | frosted glass (diffuser) | 0.5 | DC12V DC24V AC100-240V | 08 |

LED Underground light/Inground up light

with stainless steel face cover



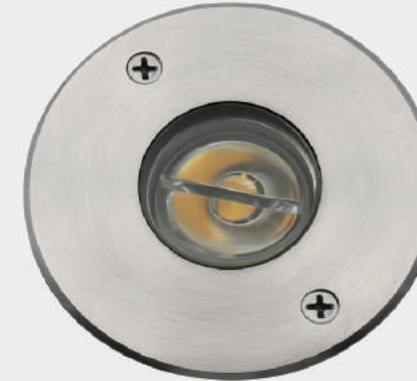
820211/820212/820216



82311/82312/82316

Asymmetrical LED Inground light

with stainless steel face cover

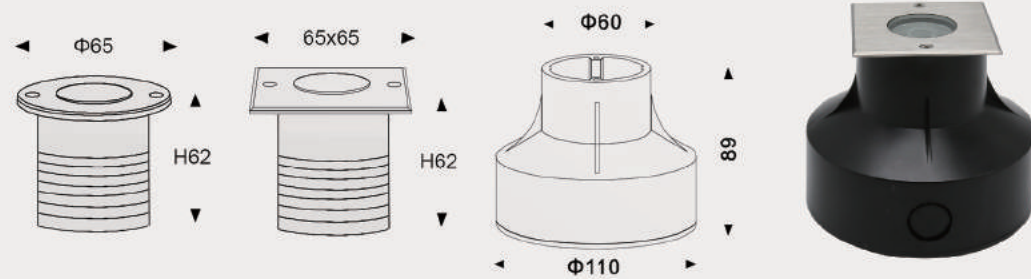


820211AS/820212AS/820216AS



82311AS/82312AS/82316AS

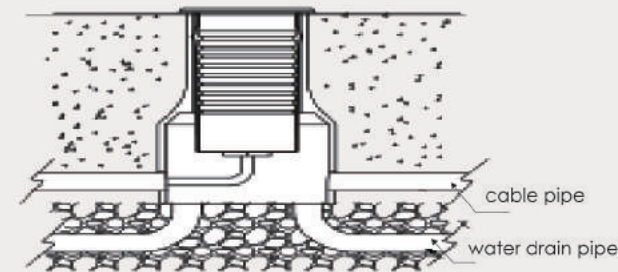
Outer Dimensions: _____ Unit:mm



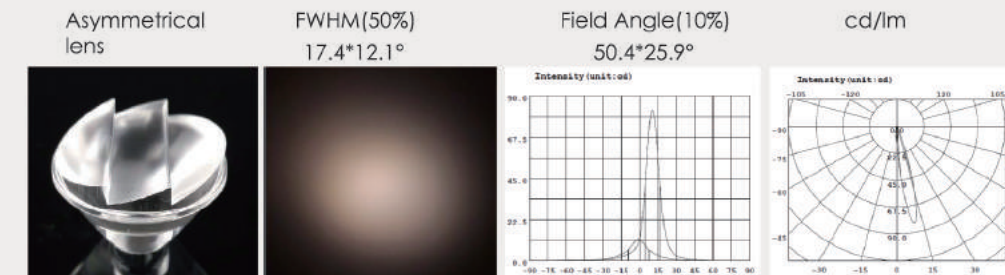
Material specifications

| | |
|--------------------------|--|
| Housing: | Outdoor dark grey powder coated aluminum T=60-80um Adhesion of ISO class 1/ASTM class 4B |
| Front cover: | 304# or 316#Stainless Steel |
| Lens: | Optical lens, efficiency≥85% |
| Glass: | Tempered step glass T=12mm |
| Glass pressure capacity: | ø10=940kgs, ø30=2600kgs |
| Gasket: | Molding shaped silicone seal |
| Operating temperature: | -20°C ~ 40°C |
| Power cable: | H05RN-F 2×0.75mm ² L=0.5m (low voltage) H05RN-F 3×0.75mm ² L=0.5m (for single color/high voltage) H05RN-F 4×0.75mm ² L=0.5m (for RGB) |
| Mounting sleeve: | ABS |

Installation diagram



Asymmetrical lens



*Note:

- 1.If the input voltage is high voltage, the item number with "H"
- 2.If the lens is Asymmetrical, the item number with "AS"
- 3.Any special customized, to be confirmed

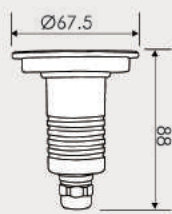
| Item No. | Light source | Lens beam angle(°) | Consumption (watt) | Input Voltage(V) | lk rate |
|------------------|----------------------|--------------------|--------------------|------------------------------|---------|
| 820211/82311(AS) | 1x1W LED | 8°/15°/30°/45°/60° | 1.2 | DC12V DC24V AC100-240V | 09 |
| 820212/82312(AS) | 1x2W LED | 8°/15°/30°/45°/60° | 2.6 | DC12V DC24V AC100-240V | 09 |
| 820216/82316(AS) | 1x3W RGB3in1 LED | 30°/45°/60° | 3.1 | DC12V DC24V | 09 |
| 820219/82319 | 1x5W RGBW4in1 LED | 30°/45°/60° | 5.0 | DC12V DC24V | 09 |

LED Underground light/Inground up light with stainless steel face cover

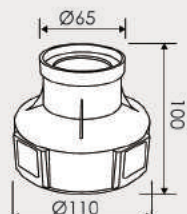


84311/84312/84316

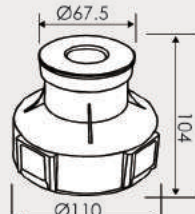
Outer Dimensions: _____ Unit:mm



housing



mounting sleeve



housing with mounting sleeve

***Note:**

- 1.If the input voltage is high voltage, the item number with "H"
- 2.If the lens is Asymmetrical, the item number with "AS"
- 3.Any special customized, to be confirmed

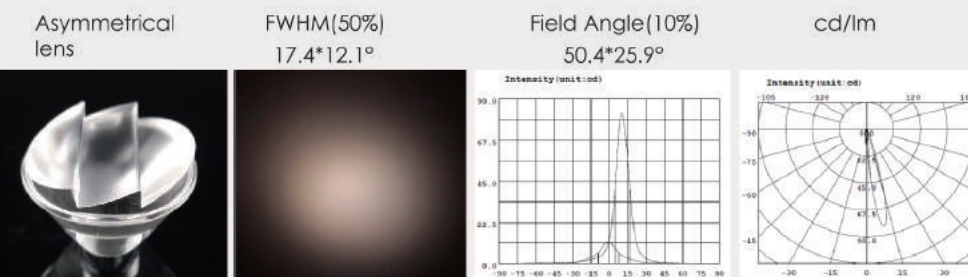
| Item No. | Light source | Lens beam angle(°) | Consumption (watt) | Input Voltage(V) | Ik rate |
|-----------|-------------------|--------------------|--------------------|------------------------------|---------|
| 84311(AS) | 1x1W LED | 8°/15°/30°/45°/60° | 1.2 | DC12V DC24V AC100-240V | 08 |
| 84312(AS) | 1x2W LED | 8°/15°/30°/45°/60° | 2.6 | DC12V DC24V AC100-240V | 08 |
| 84316(AS) | 1x3W RGB3in1 LED | 30°/45°/60° | 3.1 | DC12V DC24V | 08 |
| 84319 | 1x5W RGBW4in1 LED | 30°/45°/60° | 5.0 | DC12V DC24V | 08 |

Asymmetrical LED Inground light with stainless steel face cover



84311AS/84312AS/84316AS

Asymmetrical lens



Material specifications

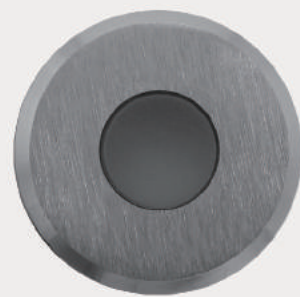
| | |
|--------------------------|---|
| Housing: | Outdoor dark grey powder coated aluminum T=60-80um Adhesion of ISO class 1/ASTM class 4B |
| Front cover: | 304# or 316#Stainless Steel |
| Lens: | Optical lens, efficiency≥85% |
| Glass: | Tempered step glass T=8mm |
| Glass pressure capacity: | Full area=780kgs |
| Gasket: | Molding shaped silicone seal |
| Operating temperature: | -20°C ~ 40°C |
| Power cable: | H05RN-F 2×0.75mm ² L=0.5m(low voltage) H05RN-F 3×0.75mm ² L=0.5m(for Single color/high voltage) H05RN-F 4×0.75mm ² L=0.5m(for RGB) |
| Mounting sleeve: | ABS |



Small Size LED Inground Light&LED deck light



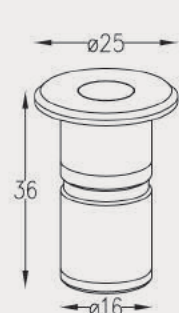
clear glass



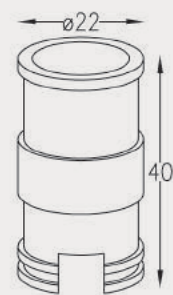
Frosted glass/diffused glass

Outer Dimensions:

Unit:mm



housing



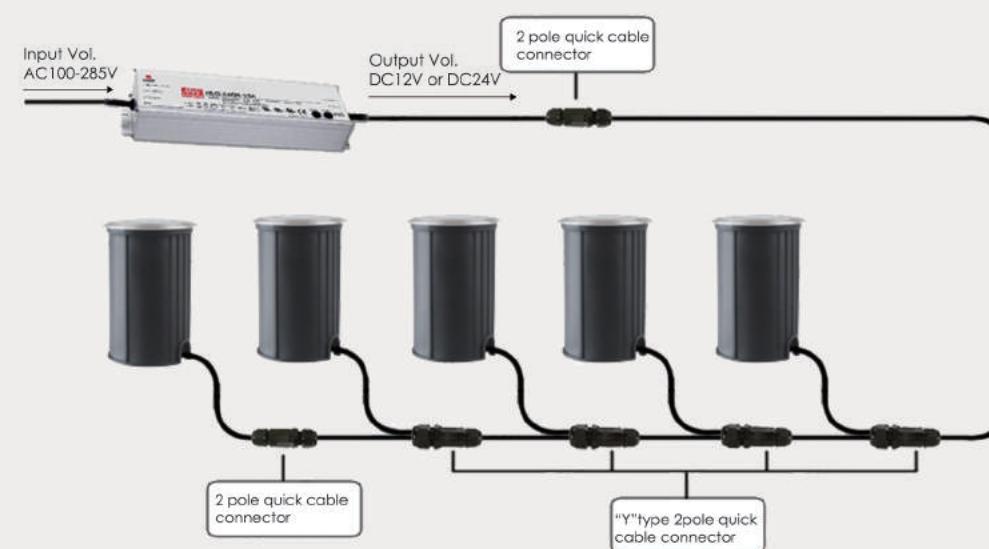
mounting sleeve



| Item No. | Light source | Lens beam angle(°) | Consumption (watt) | Input Voltage(V) |
|----------|--------------|--------------------|--------------------|-------------------|
| 80011 | 1x1W LED | 15°/30°/45°/60° | 1.1 | DC12V/DC24V |
| 80017 | 1x0.5W LED | 120° | 0.5 | DC12V/DC24V |



Connection Demo:



Material specifications

| | |
|------------------------|---|
| Housing: | Aluminum anodized or outdoor powder coated finish housing T=60-80um Adhesion of ISO class 1/ASTM class 4B |
| Front cover: | 304# or 316#stainless steel |
| Lens: | Optical lens, efficiency≥85% |
| Glass: | Tempered step glass T=7mm |
| Gasket: | Molding shaped silicone seal |
| Operating temperature: | -10°C ~ 40°C |
| Power cable: | H05RN-F 2x0.5mm² L=0.5m(low voltage) |
| Mounting sleeve: | Aluminum |

LED inground light/LED up light with stainless steel face cover

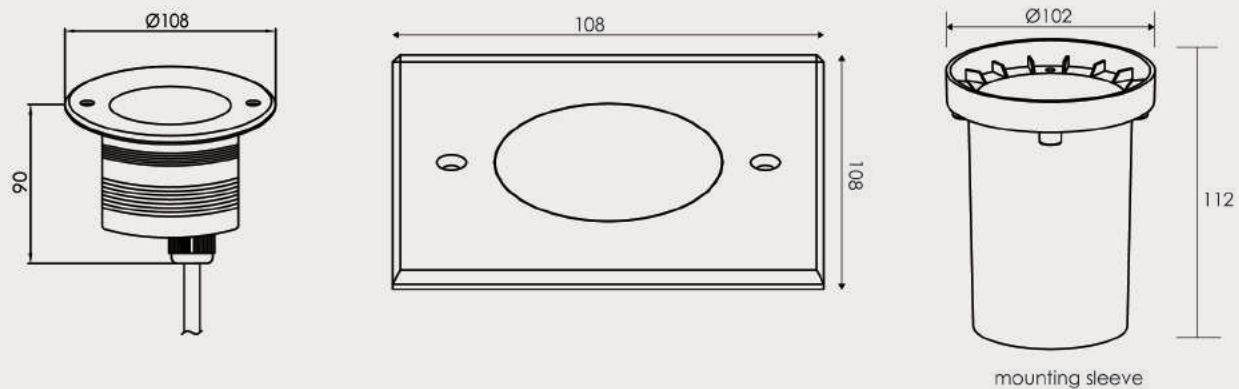


82531/82532/82533/82534/82536



82531S/82532S/82533S/82534S/82536S

Outer Dimensions: Unit:mm



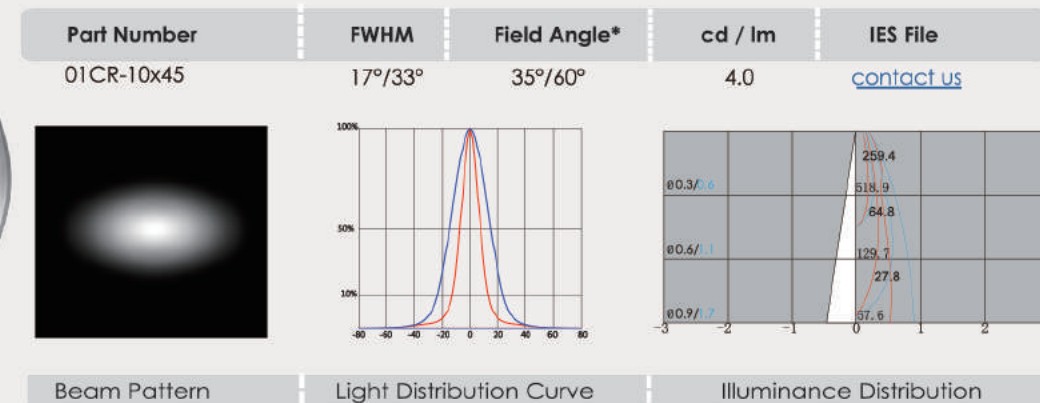
***Note:**
 1.If the input voltage is high voltage, the item number with "H"
 2.If the lens is Asymmetrical, the item number with "AS"
 3.Any special customized, to be confirmed

| Item No. | Light source | Lens beam angle(°) | Consumption (watt) | Input Voltage(V) | Ik rate |
|---------------|------------------|------------------------|--------------------|------------------------|---------|
| 82531(S/H/AS) | 3x1W LED | 8°/15°/25°/30°/45°/60° | 3.2 | DC12V/DC24V/AC100-240V | 09 |
| 82632(S/H/AS) | 3x2W LED | 8°/15°/25°/30°/45°/60° | 6.2 | DC12V/DC24V/AC100-240V | 09 |
| 82533(S/H/AS) | 3x1W RGB LED | 8°/15°/25°/30°/45°/60° | 3.2 | DC12V/DC24V | 09 |
| 82634(S/H/AS) | 3x2W RGB LED | 8°/15°/25°/30°/45°/60° | 5.8 | DC12V/DC24V | 09 |
| 82636(S/H/AS) | 3x3W RGB3in1 LED | 25°/30°/45°/60° | 9.2 | DC12V/DC24V | 09 |

Asymmetrical Underground LED light with asymmetrical lens



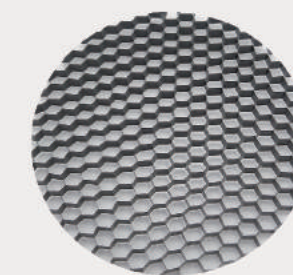
82531AS/82532AS/
82533AS/82534AS/82536AS



With Diffused glass(A)/Honeycomb Louver(B)/Concentric Cell(C) type:



(A)



(B)



(C)

Material specifications

| | |
|--------------------------|--|
| Housing: | Outdoor dark grey powder coated aluminum T=60-80um Adhesion of ISO class 1/ASTM class 4B |
| Front cover: | 304# or 316# Stainless Steel |
| Lens: | Optical lens, efficiency ≥85% |
| Glass: | Tempered step glass T=8mm |
| Glass pressure capacity: | Full area =2500kgs |
| Gasket: | Molding shaped silicone seal |
| Operating temperature: | -20°C ~ 40°C |
| Power cable: | H05RN-F 2×0.75mm² L=0.5m (low voltage) H05RN-F 3×0.75mm² L=0.5m (for single color/high voltage) H05RN-F 4×0.75mm² L=0.5m (for RGB) |
| Mounting sleeve: | ABS |



Power LED inground light/COB LED up light with stainless steel face cover



82631/82632/82633/82634/82636



82606COB

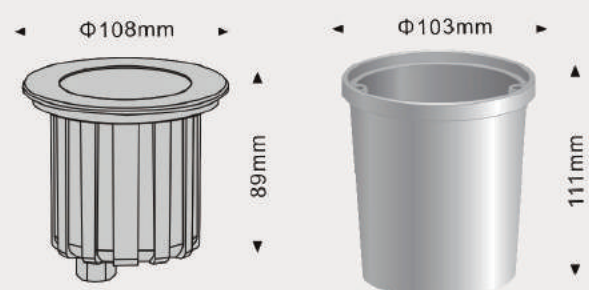
Material specifications

| | |
|--------------------------|---|
| Housing: | Outdoor dark grey powder coated aluminum T=60-80um Adhesion of ISO class 1/ASTM class 4B |
| Front cover: | 304# or 316#Stainless Steel |
| Lens: | Optical lens, efficiency≥85% |
| Glass: | Tempered step glass T=7mm |
| Glass pressure capacity: | Full area =1900kgs |
| Gasket: | Molding shaped silicone seal |
| Operating temperature: | -20°C ~ 40°C |
| Power cable: | H05RN-F 2×0.75mm ² L=0.5m(low voltage) H05RN-F 3×0.75mm ² L=0.5m(for single color/high voltage) H05RN-F 4×0.75mm ² L=0.5m(for RGB) |
| Mounting sleeve: | ABS |

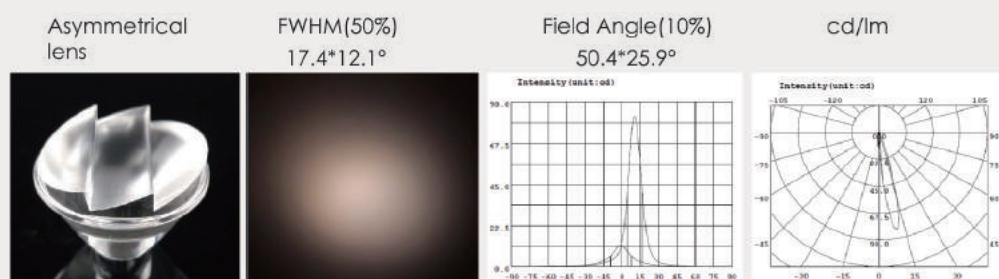
Housing color option

- Aluminum anodized
- Silver painting RAL9005
- Matt black RAL9006

Outer Dimensions: Unit:mm



Asymmetrical lens:



GU5.3&GU10 lamp holder inground luminaire with stainless steel face cover

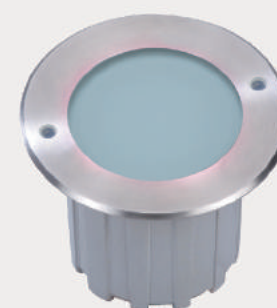


826110/826111

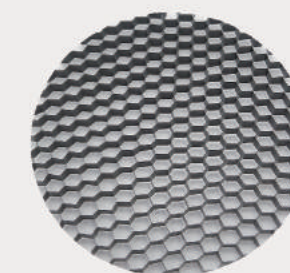


Input voltage is according to LED bulb spec

With Diffused glass(A)/Honeycomb Louver(B)/Concentric Cell(C) type:



(A)



(B)



(C)

*Note:

- 1.If the input voltage is high voltage, the item number with "H"
- 2.If the lens is Asymmetrical, the item number with "AS"
- 3.Any special customized, to be confirmed

| Item No. | Light source | Lens beam angle(-) | Consumption (watt) | Input Voltage(V) | Ik rate |
|---------------|-------------------|------------------------|--------------------|------------------------|---------|
| 82631 | 3x1W LED | 8°/15°/25°/30°/45°/60° | 3.2 | DC12V/DC24V/AC100-240V | 08 |
| 82632 | 3x2W LED | 8°/15°/25°/30°/45°/60° | 6.2 | DC12V/DC24V/AC100-240V | 08 |
| 82634 | 3x2W RGB LED | 8°/15°/25°/30°/45°/60° | 5.8 | DC12V/DC24V/AC100-240V | 08 |
| 82636 | 3x3W RGB3in1 LED | 25°/30°/45°/60° | 9.2 | DC12V/DC24V | 08 |
| 826110/826111 | GU5.3/GU10 socket | N/A | N/A | N/A | 08 |
| 82606COB | 1x6W CREE COB | 15°/24°/38°/60° | 6.3 | DC12V/DC24V/AC100-240V | 08 |

LED inground light/LED up light with stainless steel face cover

Asymmetrical

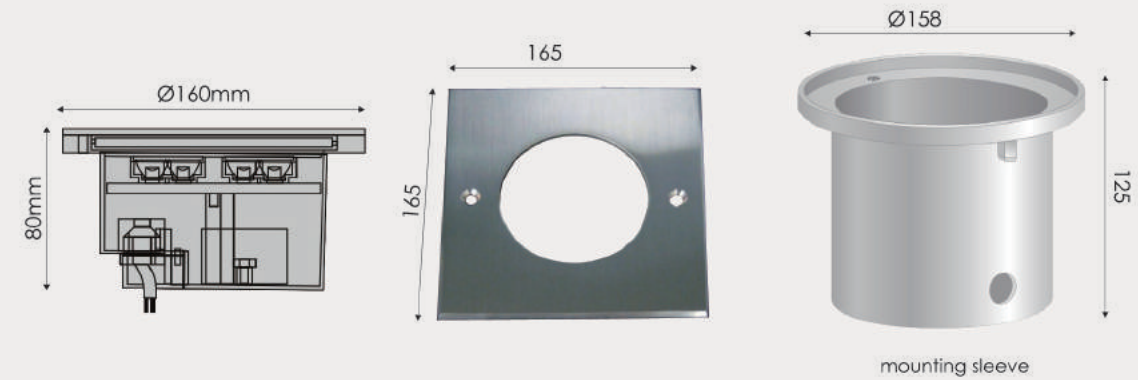


82661/82662/82663/82664/82666



82661AS/82662AS/82663AS/82664AS/82666AS

Outer Dimensions: Unit:mm



Material specifications

| | |
|--------------------------|--|
| Housing: | Outdoor dark grey powder coated aluminum T=60-80um Adhesion of ISO class 1/ASTM class 4B |
| Front cover: | 304# or 316#Stainless Steel |
| Lens: | Optical lens, efficiency≥85% |
| Glass: | Tempered step glass T=8mm |
| Glass pressure capacity: | Full area =2450kgs |
| Gasket: | Molding shaped silicone seal |
| Operating temperature: | -20°C ~ 40°C |
| Power cable: | H05RN-F 2×0.75mm ² L=0.5m (low voltage) H05RN-F 3×0.75mm ² L=0.5m (for Single color/high voltage) H05RN-F 4×0.75mm ² L=0.5m (for RGB) |
| Mounting sleeve: | ABS |

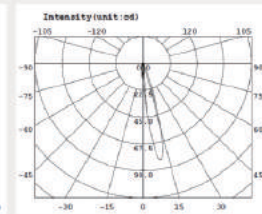
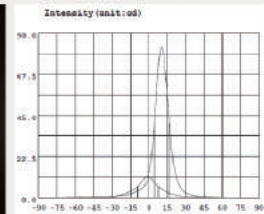
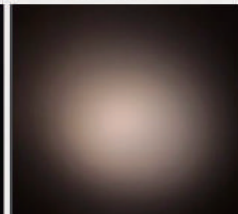
Asymmetrical lens

Asymmetrical lens

FWHM(50%)
17.4°/12.1°

Field Angle(10%)
50.4°/25.9°

cd/lm



*Note:

- 1.If the input voltage is high voltage, the item number with "H"
- 2.If the lens is Asymmetrical, the item number with "AS"
- 3.Any special customized, to be confirmed

| Item No. | Light source | Lens beam angle(°) | Consumption (watt) | Input Voltage(V) | lk rate |
|---------------|------------------|------------------------|--------------------|-------------------|---------|
| 82661(S/H/AS) | 6x1W LED | 8°/15°/25°/30°/45°/60° | 6.3 | DC24V/AC100-240V | 08 |
| 82662(S/H/AS) | 6x2W LED | 8°/15°/25°/30°/45°/60° | 13.2 | DC24V/AC100-240V | 08 |
| 82663(S/AS) | 6x1W RGB LED | 8°/15°/25°/30°/45°/60° | 6.0 | DC12V/DC24V | 08 |
| 82664(S/AS) | 6x2W RGB LED | 8°/15°/25°/30°/45°/60° | 12.5 | DC12V/DC24V | 08 |
| 82666(S/H/AS) | 6x3W RGB3in1 LED | 25°/30°/45°/60° | 18.3 | DC24V | 08 |



High Power LED inground light/LED up light with stainless steel face cover

Asymmetrical

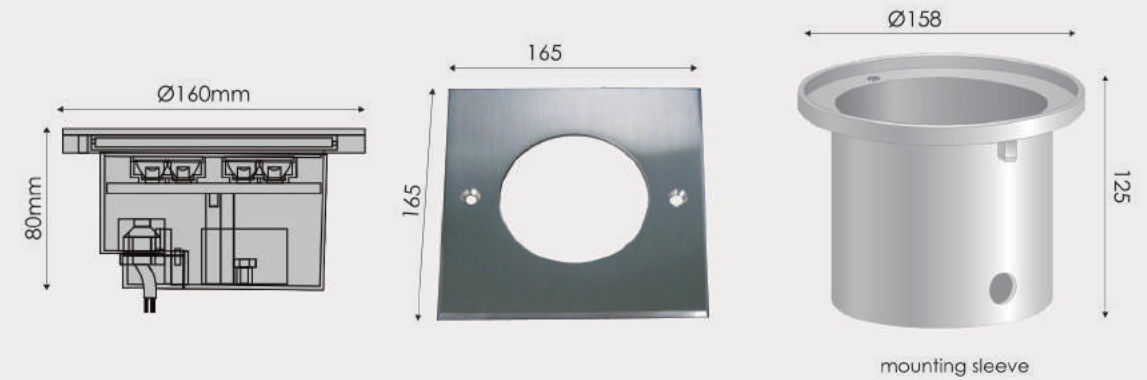


82691/82692/82693/82694/82696



82691AS/82692AS/82693AS/82694AS/82696AS

Outer Dimensions: Unit:mm



Material specifications

| | |
|--------------------------|--|
| Housing: | Outdoor dark grey powder coated aluminum T=60-80um Adhesion of ISO class 1/ASTM class 4B |
| Front cover: | 304# or 316#StainlessSteel |
| Lens: | Optical lens, efficiency≥85% |
| Glass: | Tempered step glass T=8mm |
| Glass pressure capacity: | Full area =2450kgs |
| Gasket: | Molding shaped silicone seal |
| Operating temperature: | -20°C ~ 40°C |
| Power cable: | H05RN-F 2×0.75mm² L=0.5m (low voltage) H05RN-F 3×0.75mm² L=0.5m (for Single color/high voltage) H05RN-F 4×0.75mm² L=0.5m (for RGB) |
| Mounting sleeve: | ABS |

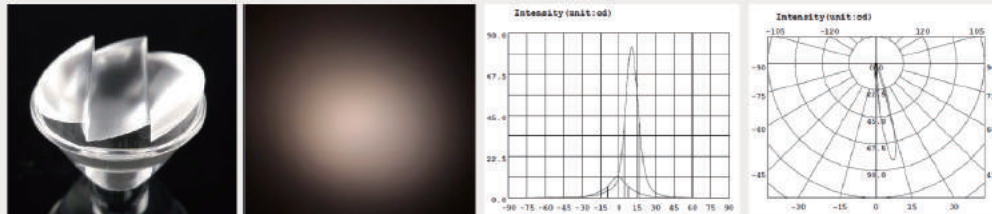
Asymmetrical lens

Asymmetrical lens

FWHM(50%)
17.4°*12.1°

Field Angle(10%)
50.4°*25.9°

cd/lm



*Note:

- 1.If the input voltage is high voltage, the item number with "H"
- 2.If the lens is Asymmetrical, the item number with "AS"
- 3.Any special customized, to be confirmed

| Item No. | Light source | Lens beam angle(°) | Consumption (watt) | Input Voltage(V) | Ik rate |
|---------------|------------------|------------------------|--------------------|-------------------|---------|
| 82691(S/H/AS) | 9x1W LED | 8°/15°/25°/30°/45°/60° | 9.5 | DC24V/AC100-240V | 08 |
| 82692(S/H/AS) | 9x2W LED | 8°/15°/25°/30°/45°/60° | 20.2 | DC24V/AC100-240V | 08 |
| 82693(S/AS) | 9x1W RGB LED | 8°/15°/25°/30°/45°/60° | 9.2 | DC12V/DC24V | 08 |
| 82694(S/AS) | 9x2W RGB LED | 8°/15°/25°/30°/45°/60° | 18.1 | DC12V/DC24V | 08 |
| 82696(S/H/AS) | 9x3W RGB3in1 LED | 25°/30°/45°/60° | 26.7 | DC24V | 08 |



LED Underground Light/LED Up Light

with stainless steel face cover

Asymmetrical

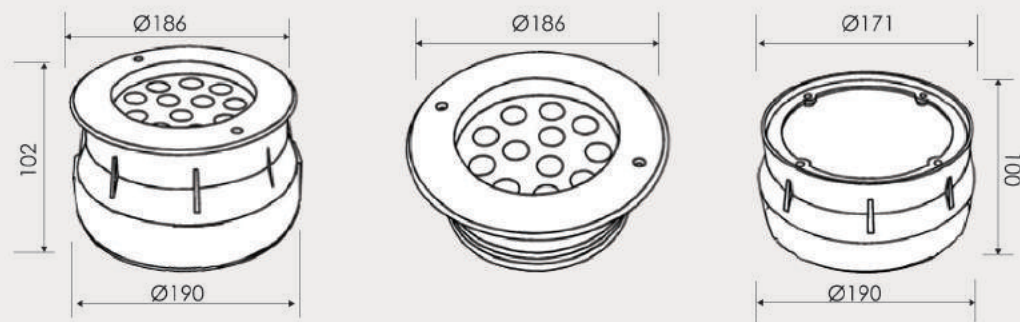


824121/824122/824123/824124/824126

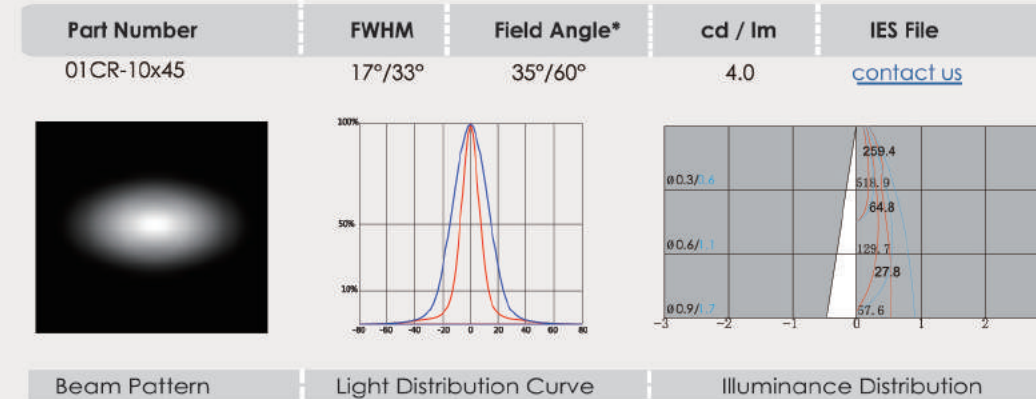


824121AS/824122AS/824123AS/824124AS/824126AS

Outer Dimensions: Unit:mm



Asymmetrical lens



Material specifications

| | |
|--------------------------|--|
| Housing: | Outdoor dark grey powder coated aluminum T=60-80um Adhesion of ISO class 1/ASTM class 4B |
| Front cover: | 304# or 316# Stainless Steel |
| Lens: | Optical lens, efficiency ≥ 85% |
| Glass: | Tempered step glass T=8mm |
| Glass pressure capacity: | Full area 2250kgs |
| Gasket: | Molding shaped silicone seal |
| Operating temperature: | -20°C ~ 40°C |
| Power cable: | H05RN-F 2×0.75mm ² L=0.5m (low voltage) H05RN-F 3×0.75mm ² L=0.5m (for single color/high voltage) H05RN-F 4×0.75mm ² L=0.5m (for RGB) |
| Mounting sleeve: | ABS |

*Note:

- 1.If the input voltage is high voltage, the item number with "H"
- 2.If the lens is Asymmetrical, the item number with "AS"
- 3.Any special customized, to be confirmed

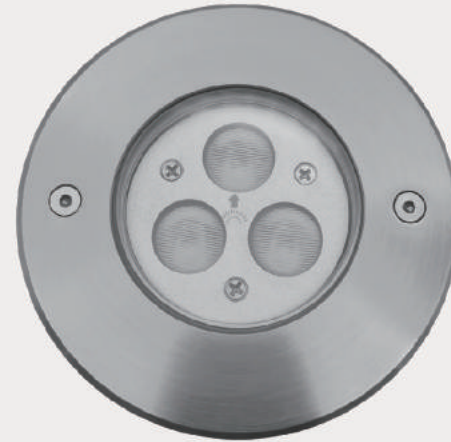
| Item No. | Light source | Lens beam angle(°) | Consumption (watt) | Input Voltage(V) | lk.rate |
|----------------|-------------------|------------------------|--------------------|------------------|---------|
| 824121(S/H/AS) | 12x1W LED | 8°/15°/25°/30°/45°/60° | 12.6 | DC24V/AC100-240V | 08 |
| 824122(S/H/AS) | 12x2W LED | 8°/15°/25°/30°/45°/60° | 25.4 | DC24V/AC100-240V | 08 |
| 824123(S/AS) | 12x1W RGB LED | 8°/15°/25°/30°/45°/60° | 11.8 | DC12V/DC24V | 08 |
| 824124(S/AS) | 12x2W RGB LED | 8°/15°/25°/30°/45°/60° | 23.5 | DC12V/DC24V | 08 |
| 824126(S/H/AS) | 12x3W RGB3in1 LED | 25°/30°/45°/60° | 34.6 | DC24V | 08 |

Inground up light/Asymmetrical inground light with stainless steel face cover



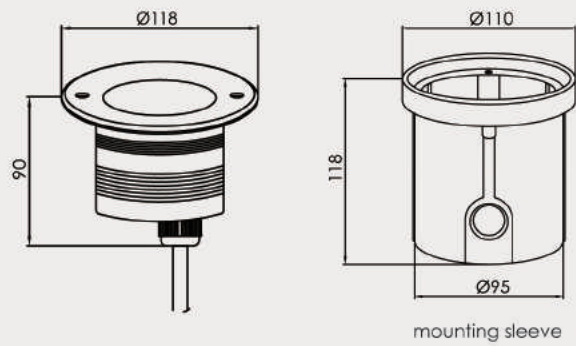
B82531/B82532/B82533/B82534/B82536

with asymmetrical lens



B82531AS/B82532AS/B82533AS/B82534AS/B82536AS

Outer Dimensions: Unit:mm



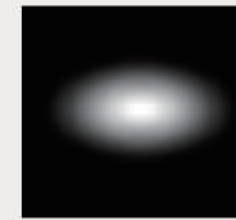
with frosted glass

Material specifications

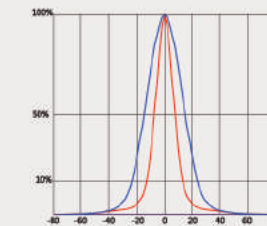
| | |
|--------------------------|---|
| Housing: | Outdoor dark grey powder coated aluminum T=60-80um Adhesion of ISO class 1/ASTM class 4B |
| Front cover: | 304# or 316#Stainless Steel |
| Lens: | Optical lens, efficiency \geq 85% |
| Glass: | Tempered step glass T=8mm |
| Glass pressure capacity: | Full area =2500kgs |
| Gasket: | Molding shaped silicone seal |
| Operating temperature: | -20°C ~ 40°C |
| Power cable: | H05RN-F 2x0.75mm ² L=0.5m(low voltage) H05RN-F 3x0.75mm ² L=0.5m(for Single color/high voltage) H05RN-F 4x0.75mm ² L=0.5m(for RGB) |
| Mounting sleeve: | ABS |

Asymmetrical

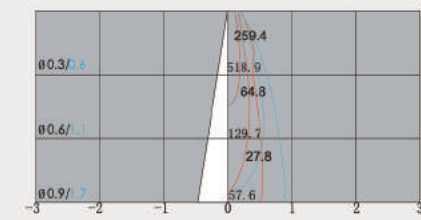
| Part Number | FWHM | Field Angle* | cd / lm | IES File |
|-------------|---------|--------------|---------|----------------------------|
| 01CR-10x45 | 17°/33° | 35°/60° | 4.0 | contact us |



Beam Pattern



Light Distribution Curve



Illuminance Distribution

*Note:

- 1.If the input voltage is high voltage, the item number with"H"
- 2.If the lens is Asymmetrical, the item number with"AS"
- 3.Any special customized, to be confirmed

| Item No. | Light source | Lens beam angle(°) | Consumption (watt) | Input Voltage(V) | Ik rate |
|-------------|-------------------|------------------------|--------------------|-------------------|---------|
| B82531 (AS) | 3x1W LED | 8°/15°/25°/30°/45°/60° | 3.2 | DC12V/DC24V | 09 |
| B82532(AS) | 3x2W LED | 8°/15°/25°/30°/45°/60° | 6.2 | DC12V/DC24V | 09 |
| B82533(AS) | 3x1W RGB LED | 8°/15°/25°/30°/45°/60° | 3.2 | DC12V/DC24V | 09 |
| B82534(AS) | 3x2W RGB LED | 8°/15°/25°/30°/45°/60° | 5.8 | DC12V/DC24V | 09 |
| B82536(AS) | 3x3W RGB3in1 LED | 25°/30°/45°/60° | 9.2 | DC12V/DC24V | 09 |
| B82538 | 3x4W RGBW4in1 LED | 25°/30°/45°/60° | 13.2 | DC12V/DC24V | 09 |



Recessed Inground light/Square up light with stainless steel face cover

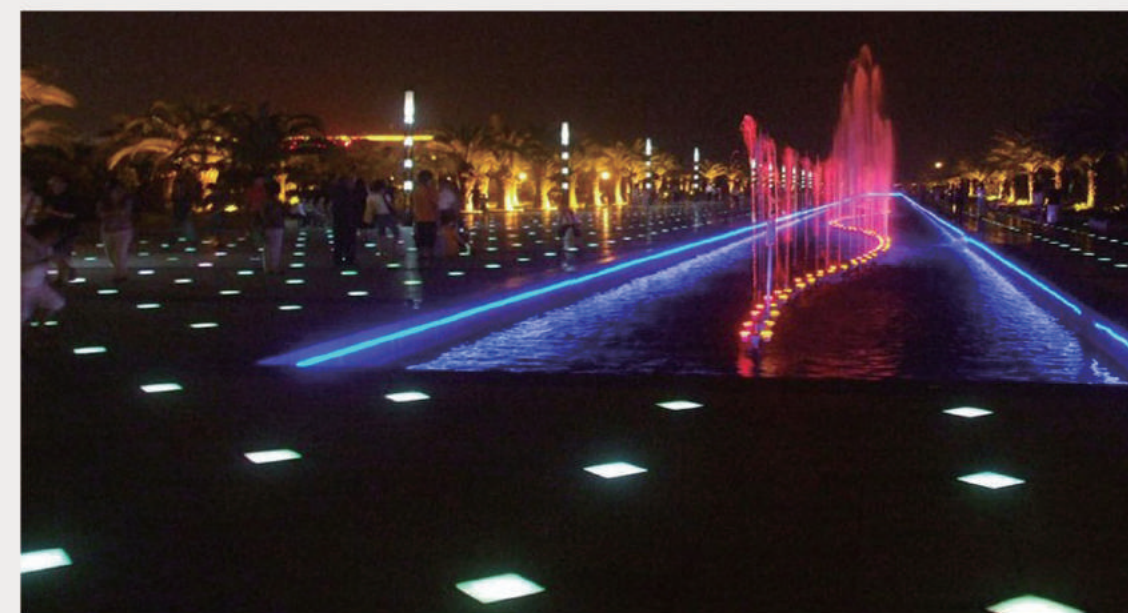


82841/82842

with asymmetrical lens



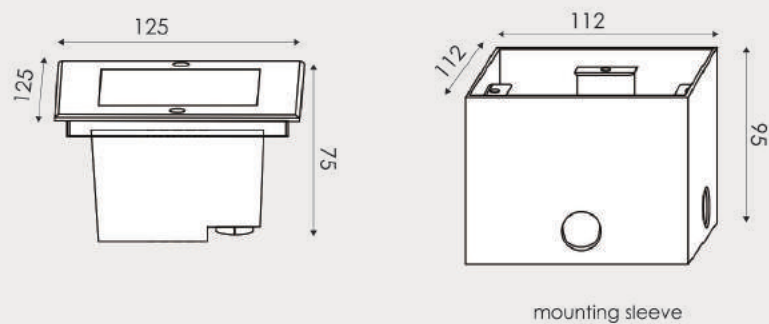
82841AS/82842AS



Material specifications

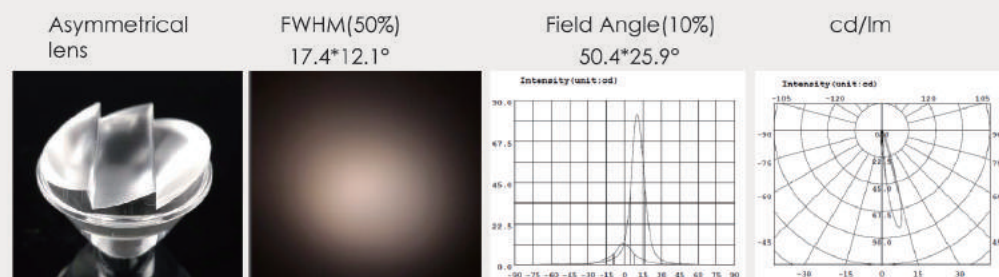
| | |
|--------------------------|---|
| Housing: | Outdoor powder coated aluminum T=60-80um Adhesion of ISO class 1/ASTM class 4B |
| Front cover: | 304# or 316#StainlessSteel |
| Lens: | Optical lens, efficiency≥85% |
| Glass: | Tempered step glass T=8mm |
| Glass pressure capacity: | Full area =2500kgs |
| Gasket: | Molding shaped silicone seal |
| Operating temperature: | -20°C ~ 40°C |
| Power cable: | H05RN-F 2×0.75mm² L=0.5m(low voltage) H05RN-F 3×0.75mm² L=0.5m(for Single color/high voltage) H05RN-F 5×0.5mm² L=0.5m(for RGBW) |
| Mounting sleeve: | Poder coated iron T=1.5mm |

Outer Dimensions: Unit:mm



with frosted glass

Asymmetrical lens



*Note:

- 1.If the input voltage is high voltage, the item number with "H"
- 2.If the lens is Asymmetrical, the item number with "AS"
- 3.Any special customized, to be confirmed

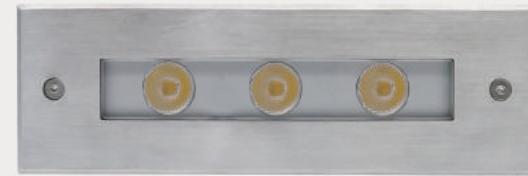
| Item No. | Light source | Lens beam angle(°) | Consumption (watt) | Input Voltage(V) | Ik rate |
|-------------|--------------------|------------------------|--------------------|-------------------|---------|
| 82841(AS/H) | 4x1W LED | 8°/15°/25°/30°/45°/60° | 4.4 | DC24V/AC100~240V | 09 |
| 82842(AS/H) | 4x2W LED | 8°/15°/25°/30°/45°/60° | 8.5 | DC24V/AC100~240V | 09 |
| 82829 | 2x8W RGBW 4in1 LED | 25°/30°/45°/60°/10x45° | 9.2 | DC12V/DC24V | 09 |
| 82828 | 2x6W COB LED | 15°/25°/36°/60° | 12.1 | DC24V/AC100~240V | 09 |

Inground LED linear light/Recessed strip inground light

with stainless steel face cover



820461/820462



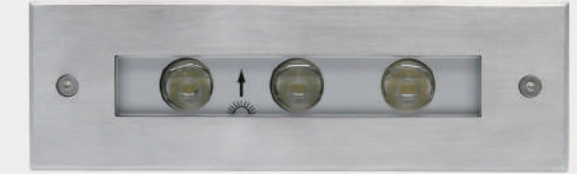
820431/820432

Recessed linear inground wall washer light

with stainless steel face cover&Assymetrical lens



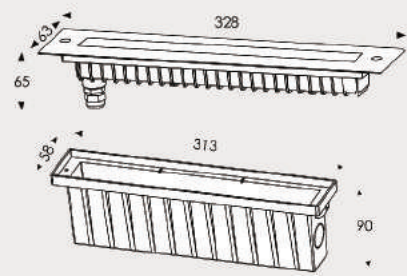
820461AS/820462AS



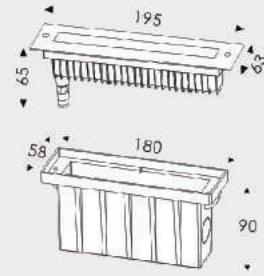
820431AS/820432AS

Outer Dimersions:

Unit:mm



820461 (AS)/820462 (AS)



820431 (AS)/820432 (AS)



8204067 (OSRAM3030*6pcs)

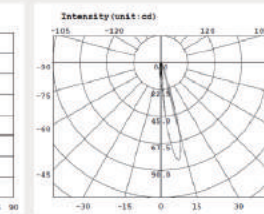
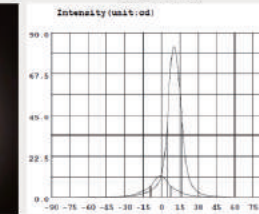
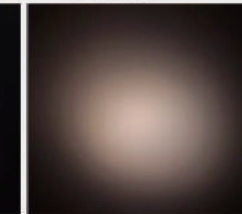
Asymmetrical lens

Asymmetrical lens

FWHM(50%)
17.4*12.1°

Field Angle(10%)
50.4*25.9°

cd/lm



low voltage style

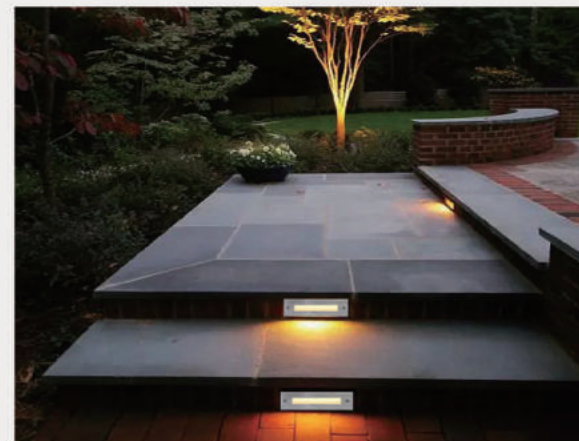


Outside driver box for high voltage



Material specifications

| | |
|--------------------------|--|
| Housing: | Outdoor dark grey powder coated aluminum T=60-80um Adhesion of ISO class 1/ASTM class 4B |
| Front cover: | 304# or 316#StainlessSteel |
| Lens: | Optical lens, efficiency≥85% |
| Glass: | Tempered step glass T=7mm |
| Glass pressure capacity: | Full area =1700kgs |
| Gasket: | Molding shaped silicone seal |
| Operating temperature: | -20°C ~ 40°C |
| Power cable: | H05RN-F 2×0.75mm ² L=0.5m (low voltage) H05RN-F 3×0.75mm ² L=0.5m (for Single color/high voltage) H05RN-F 4×0.75mm ² L=0.5m (for RGB) |
| Mounting sleeve: | ABS |



***Note:**
 1.If the input voltage is high voltage, the item numeber with "H"
 2.If the lens is Asymmetrical, the item number with "AS"
 3.Any special customized, to be confirmed

| Item No. | Light source | Lens beam angle(°) | Consumption (watt) | Input Voltage(V) | lk rate |
|---------------|---------------|---------------------------|--------------------|-------------------|---------|
| 820431 (AS/H) | 3x1W LED | 8°/15°/25°/30°/45°/10x45° | 3.2 | DC24V/AC100-240V | 8 |
| 820432 (AS/H) | 3x2W LED | 8°/15°/25°/30°/45°/10x45° | 6.6 | DC24V/AC100-240V | 8 |
| 8204067 (H) | SMD3030*6pcs | frosted glass(diffuser) | 3.1 | DC24V/AC100-240V | 8 |
| 820461 (AS/H) | 6x1W LED | 8°/15°/25°/30°/45°/10x45° | 6.3 | DC24V/AC100-240V | 8 |
| 820462 (AS/H) | 6x2W LED | 8°/15°/25°/30°/45°/10x45° | 12.6 | DC24V/AC100-240V | 8 |
| 8204107 (H) | SMD3030*12pcs | frosted glass(diffuser) | 6.3 | DC24V/AC100-240V | 8 |

COB LED inground light/LED up light

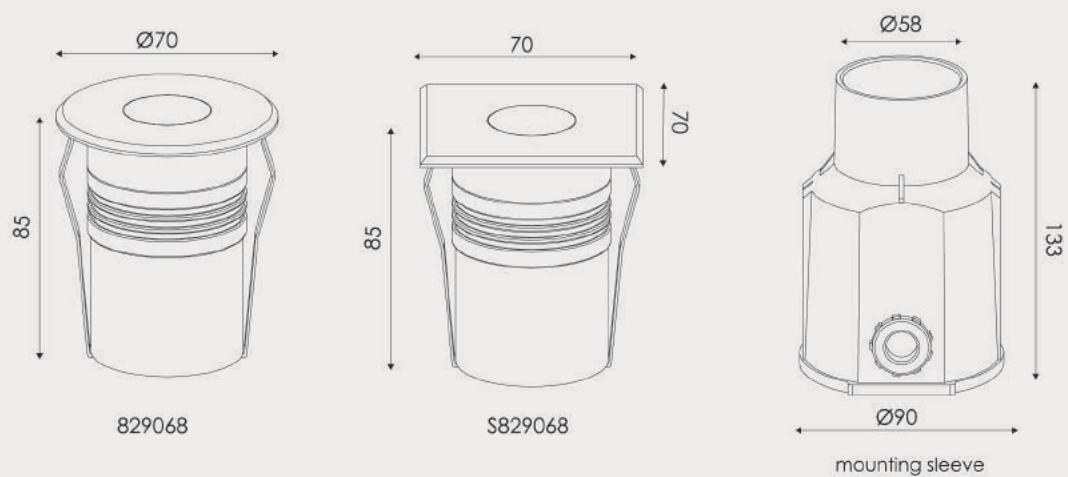
with stainless steel face cover



829068

| Item No. | Light source | Lens beam angle(°) | Consumption (watt) | Input Voltage(V) | Ik rate |
|----------|---------------|-----------------------------|--------------------|------------------------|---------|
| 829068 | 1x6W COB LED | 15°/25°/38°/60° | 6.2 | DC12V/DC24V/AC100-240V | 08 |
| 82919 | 1x6W RGBW4in1 | 20°/25°/40°/10°x65°/20°x65° | 6.0 | DC12V/DC24V | 08 |

Outer Dimensions: _____ Unit:mm



829068

S829068

mounting sleeve

COB LED inground light/Underground up light

with stainless steel square face cover



S829068

| Item No. | Light source | Lens beam angle(°) | Consumption (watt) | Input Voltage(V) | Ik rate |
|----------|---------------|-----------------------------|--------------------|------------------------|---------|
| S829068 | 1x6W COB LED | 15°/25°/38°/60° | 6.2 | DC12V/DC24V/AC100-240V | 08 |
| S82919 | 1x6W RGBW4in1 | 20°/25°/40°/10°x65°/20°x65° | 6.0 | DC12V/DC24V | 08 |

Material specifications

| | |
|--------------------------|--|
| Housing: | Outdoor dark grey powder coated aluminum T=60-80um Adhesion of ISO class 1/ASTM class 4B |
| Front cover: | 304# or 316#StainlessSteel |
| Lens: | Optical lens, efficiency≥85% |
| Glass: | Tempered step glass T=7mm |
| Glass pressure capacity: | Full area =760kgs |
| Gasket: | Molding shaped silicone seal |
| Operating temperature: | -20°C ~ 40°C |
| Power cable: | H05RN-F 2×0.75mm² L=0.5m(low voltage) H05RN-F 3×0.75mm² L=0.5m(for Single color/high voltage) |
| Mounting sleeve: | ABS |



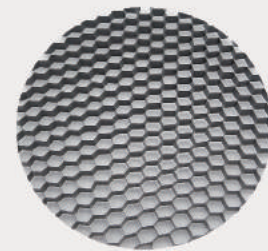
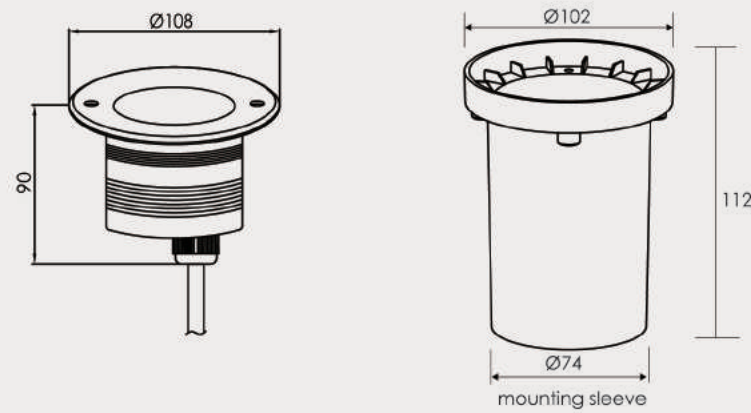
COB LED inground light/LED up light with stainless steel face cover



A2CD0126(82506COB)

| Item No. | Light source | Lens beam angle(°) | Consumption (watt) | Input Voltage(V) | Ik rate |
|----------|--------------|--------------------|--------------------|------------------------|---------|
| A2CD0120 | 1x6W COB LED | 15°/25°/38°/60° | 6.2 | DC12V/DC24V/AC100-240V | 08 |

Outer Dimensions: Unit:mm



Optional part:Honeycomb Louver

RGBW4in1 LED inground light&up light with stainless steel face cover



A2CD0169(825069)
A2CD0120(825109)

| Item No. | Light source | Lens beam angle(°) | Consumption (watt) | Input Voltage(V) | Ik rate |
|----------|----------------|-----------------------------|--------------------|------------------|---------|
| A2CD0169 | 1x6W RGBW4in1 | 20°/25°/40°/10°x65°/20°x65° | 8.1 | DC12V/DC24V | 08 |
| A2CD0120 | 1x10W RGBW4in1 | 20°/25°/40°/10°x65°/20°x65° | 10.2 | DC12V/DC24V | 08 |

Material specifications

| | |
|--------------------------|--|
| Housing: | Outdoor dark grey powder coated aluminum T=60-80um Adhesion of ISO class 1/ASTM class 4B |
| Front cover: | 304# or 316#Stainless Steel |
| Lens: | Optical lens, efficiency≥85% |
| Glass: | Tempered step glass T=8mm |
| Glass pressure capacity: | Full area =2500kgs |
| Gasket: | Molding shaped silicone seal |
| Operating temperature: | -20°C ~ 40°C |
| Power cable: | HC5RN-F 2×0.75mm² L=0.5m (low voltage) H05RN-F 3×0.75mm² L=0.5m (for Single color/high voltage) H05RN-F 4×0.75mm² L=0.5m (for RGB) |
| Mounting sleeve: | ABS |



Strong load-bearing capacity with stainless steel face cover

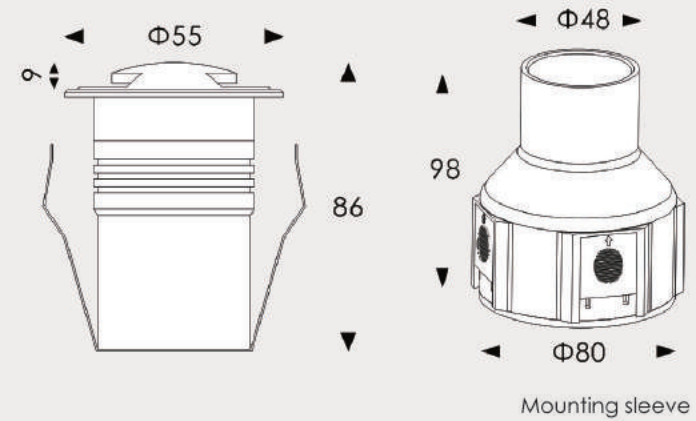


Material specifications

| | |
|------------------------|--|
| Housing: | Outdoor dark grey powder coated aluminum T=60-80um Adhesion of ISO class 1/ASTM class 4B |
| Front cover: | Hard chrome plate 304# or 316#Stainless Steel |
| Lens: | Optical lens, efficiency≥85% |
| Glass: | PMMA diffuser |
| Gas pressure capacity: | >1800kgs |
| Gasket: | Molding shaped silicone seal |
| Operating temperature: | -20°C ~ 40°C |
| Power cable: | H05RN-F 2×0.75mm ² L=0.5m (low voltage) H05RN-F 3×0.75mm ² L=0.5m (for Single color/high voltage) H05RN-F 4×0.75mm ² L=0.5m (for RGB) |
| Mounting sleeve: | ABS |

Outer Dimensions:

Unit:mm



*Note:

- 1.If the input voltage is high voltage, the item number with "H"
- 2.Any special customized, to be confirmed

| Item No. | Light source | Lens beam angle(°) | Consumption (watt) | Input Voltage(V) | lk rate |
|-------------------------|------------------|--------------------|--------------------|------------------------------|---------|
| 1E82511/2E82511/4E82511 | 1x1W LED | 8°/15°/30°/45°/60° | 1.2 | DC12V DC24V AC100-240V | 10 |
| 1E82512/2E82512/4E82512 | 1x2W LED | 8°/15°/30°/45°/60° | 2.6 | DC12V DC24V AC100-240V | 10 |
| 1E82516/2E82516/4E82516 | 1x3W RGB3in1 LED | 30°/45°/60° | 3.1 | DC12V DC24V | 10 |

Strong load-bearing capacity with stainless steel face cover



1E84311/1E84312/1E84316

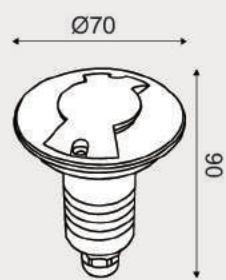


2E84311/2E84312/2E84316

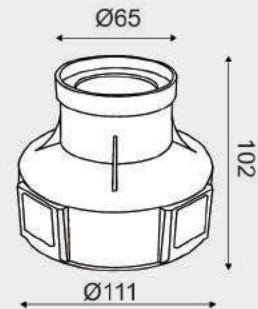


4E84311/4E84312/4E84316

Outer Dimensions: _____ Unit:mm



housing size



Mounting sleeve



Material specifications

| | |
|--------------------------|--|
| Housing: | Outdoor dark grey powder coated aluminum T=60-80um Adhesion of ISO class 1/ASTM class 4B |
| Front cover: | Hard chrome plate 304# or 316#Stainless Steel |
| Lens: | Optical lens, efficiency≥85% |
| Glass: | PMMA diffuser |
| Glass pressure capacity: | >1800kgs |
| Gasket: | Molding shaped silicone seal |
| Operating temperature: | -20°C ~ 40°C |
| Power cable: | H05RN-F 2×0.75mm ² L=0.5m (low voltage) H05RN-F 3×0.75mm ² L=0.5m (for Single color/high voltage) H05RN-F 4×0.75mm ² L=0.5m (for RGB) |
| Mounting sleeve: | ABS |



***Note:**

- 1.If the input voltage is high voltage, the item number with "H"
- 2.Any special customized, to be confirmed

| Item No. | Light source | Lens beam angle(°) | Consumption (watt) | Input Voltage (V) | Ik rate |
|-------------------------|------------------|--------------------|--------------------|------------------------------|---------|
| 1E84311/2E84311/4E82511 | 1x1W LED | 8°/15°/30°/45°/60° | 1.2 | DC12V DC24V AC100-240V | 10 |
| 1E84312/2E82512/4E84312 | 1x2W LED | 8°/15°/30°/45°/60° | 2.6 | DC12V DC24V AC100-240V | 10 |
| 1E84316/2E84316/4E84316 | 1x3W RGB3in1 LED | 30°/45°/60° | 3.1 | DC12V DC24V | 10 |

Strong load-bearing capacity with stainless steel face cover



1E82567

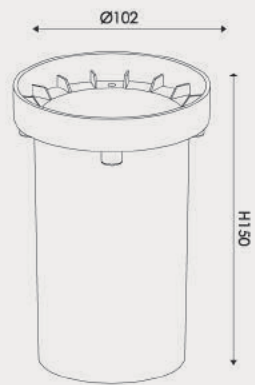
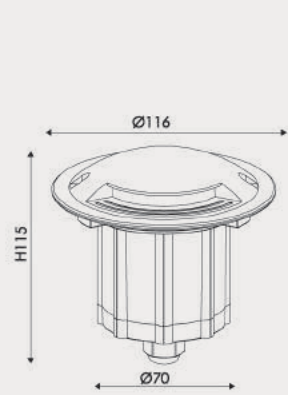


2E82567



4E82567

Outer Dimensions: _____ Unit:mm



Mounting sleeve



powder coated aluminum housing



Material specifications

| | |
|--------------------------|---|
| Housing: | Outdoor dark grey powder coated aluminum T=60-80um Adhesion of ISO class 1/ASTM class 4B |
| Front cover: | Hard chrome plate 304# or 316#Stainless Steel |
| Lens: | Optical lens, efficiency≥85% |
| Glass: | PMMA diffuser |
| Glass pressure capacity: | >1800kgs |
| Gasket: | Molding shaped silicone seal |
| Operating temperature: | -20°C ~ 40°C |
| Power cable: | H05RN-F 2×0.75mm² L=0.5m (low voltage) H05RN-F 3×0.75mm² L=0.5m (for Single color /high voltage) H05RN-F 4×0.75mm² L=0.5m (for RGB) |
| Mounting sleeve: | ABS |



CREE COB LED

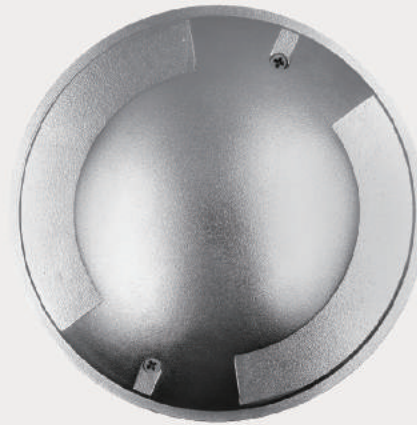
| Item No. | Light source | Lens beam angle(°) | Consumption (watt) | Input Voltage (V) | lk rate |
|----------------------------|------------------|--------------------|--------------------|------------------------------|---------|
| 1E82567/2E82567/4E82567 | 1x6W COB LED | 15°/25°/38°/60° | 6.5 | DC12V DC24V AC100-240V | 10 |
| 1E825157/2E825157/4E825157 | 15°SMD2835 LED | 15°/25°/38°/60° | 3.2 | DC12V DC24V AC100-240V | 10 |
| 1E82536/2E82536/4E82536 | 3x3W RGB3in1 LED | 30°/45°/60° | 9.1 | DC12V DC24V | 10 |

Strong load-bearing capacity

Drive-over inground light/stainless steel face cover



1E826068/1E826108/1E826158



2E826068/2E826108/2E826158

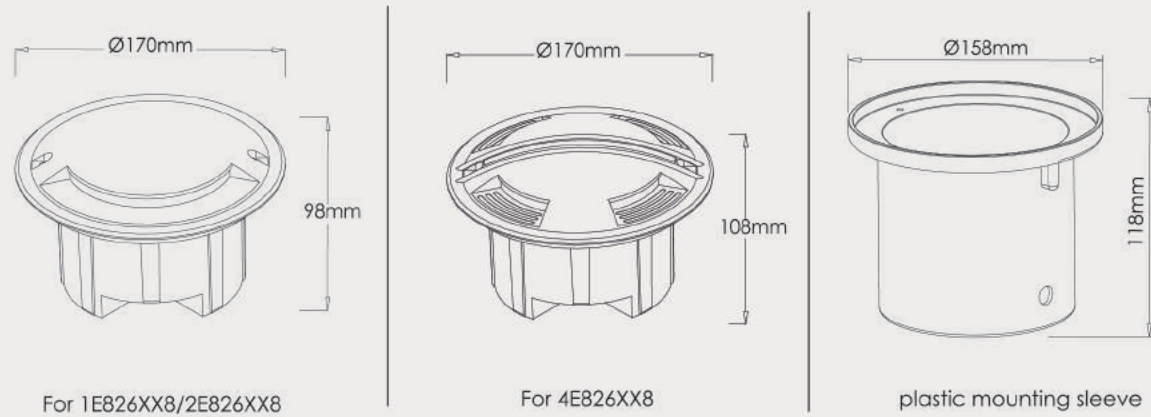


4E826068/4E826108/4E826158



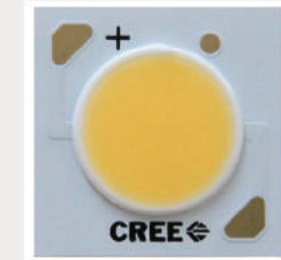
plastic mounting sleeve

Outer Dimensions: _____ Unit:mm



Material specifications

| | |
|--------------------------|--|
| Housing: | Outdoor dark grey powder coated aluminum T=60-80um Adhesion of ISO class 1/ASTM class 4B |
| Front cover: | Hard chrome plate 304# or 316#Stainless Steel |
| Lens: | Optical lens, efficiency≥85% |
| Glass: | PMMA diffuser |
| Glass pressure capacity: | >2000kgs |
| Gasket: | Molding shaped silicone seal |
| Operating temperature: | -20°C ~ 40°C |
| Power cable: | H05RN-F 2×0.75mm ² L=0.5m (low voltage) H05RN-F 3×0.75mm ² L=0.5m (for Single color/high voltage) H05RN-F 4×0.75mm ² L=0.5m (for RGB) |
| Mounting sleeve: | ABS |



CREE COB LED



side view



bottom view

| Item No. | Light source | Consumption (watt) | Input Voltage (V) | lk rate |
|----------------------------|---------------|--------------------|------------------------------|---------|
| 1E826068/2E826068/4E826068 | 1x8W COB LED | 8.1 | DC12V DC24V AC100-240V | 10 |
| 1E826108/2E826108/4E826108 | 1*10W COB LED | 10.8 | DC12V DC24V AC100-240V | 10 |
| 1E826158/2E826158/4E826158 | 1x15W COB LED | 15.2 | DC12V DC24V AC100-240V | 10 |



IP68
OUTDOOR RATED

LED Recessed Swimming Pool Light Series



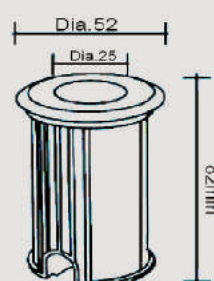
▶ Mini Underwater LED Inground Light & Tiny type swimming pool light



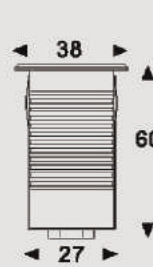
90011A
90012A



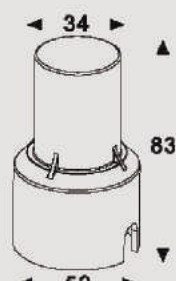
90011B
90012B



90011A/90012A
outer dimensions



90011B/90012B
housing dimensions



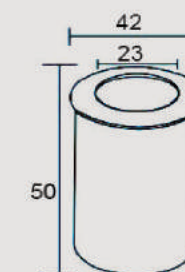
Mounting sleeve



90011
90012



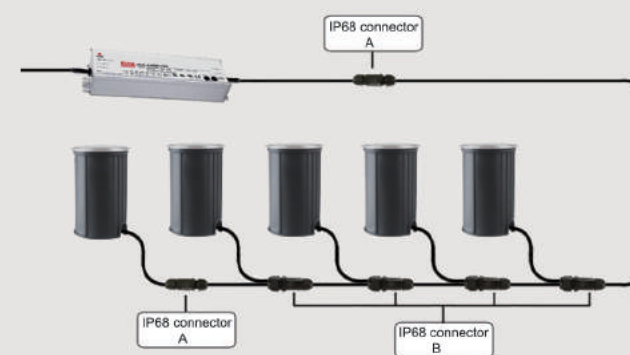
Input voltage DC12V/DC24V version



90011
90012 outer dimensions

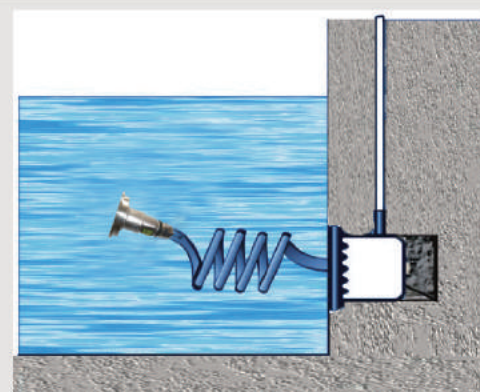
Material specifications

| | |
|--------------------------|--|
| Front cover&Housing: | Molding shaped 304* or 316L* stainless steel |
| Glass: | Step tempered glass T=4mm |
| Lens: | High quality optical lens, efficiency≥85% |
| Cable gland: | IP-68 PG-11 copper and nickel coated |
| PCB: | Excellent heat conductivity aluminum, coefficient of heat conductivity≥2.0w/mk |
| Driver: | Constant current output Single color LED=1-circuit output |
| Application environment: | Temperature of water between -20°C ~ 40°C less than 1.0 meter depth. |
| Mounting sleeve: | Aluminum |
| Power cable: | H05RN-F 2×0.75mm ² L=1m(for Single color) |



Material specifications

| | |
|--------------------------|---|
| Front cover&Housing: | Molding shaped 304* or 316L* stainless steel |
| Glass: | Step tempered glass T=4mm |
| Lens: | High quality optical lens, efficiency≥85% |
| Cable gland: | IP-68 PG-11 copper and nickel coated |
| PCB: | Excellent heat conductivity aluminum, coefficient of heat conductivity≥2.0w/mk |
| Driver: | Constant current output Single color LED=1-circuit output RGB 3in1 LED=3-circuits output |
| Application environment: | Temperature of water between -20°C ~ 40°C less than 1.0 meter depth. |
| Mounting sleeve: | Plastic sleeve |
| Power cable: | H05RN-F 2×0.75mm ² L=1m(for Single color) H05RN-F 4×0.75mm ² L=1m(for RGB) |



Water must be allowed to go inside and outside sleeve freely without leaking to the other side.

***Warning:**
Must be installed under the water to prevent the lights from being burnt off because of the over-heating.

| Item No. | Light source | Lens beam angle(°) | Consumption (watt) | Input Voltage(V) | Ik rate |
|----------|---------------|----------------------|--------------------|-----------------------------|---------|
| 90011 | 1 x 1W | 15/25/45/60° | 1.1 | DC3V 350MA (DC12v/DC24v) | 04 |
| 90012 | 1x 2W | 15/25/45/60° | 2.2 | DC3V 700MA (DC12v/DC24v) | 04 |
| 90011A | 1 x 1W | 8/15/20/30/45/60/90° | 1.1 | DC12V/DC24V | 06 |
| 90012A | 1 x 2W | 8/15/20/30/45/60/90° | 2.4 | DC12V/DC24V | 06 |
| 90016A | 1x 3W RGB3in1 | 8/15/20/30/45/60/90° | 3.2 | DC12V/DC24V | 06 |
| 90011B | 1 x 1 W | 15/25/45/60° | 1.1 | DC12V/DC24V | 06 |
| 90012B | 1x 2W | 15/25/45/60° | h 2.4 | DC12V/DC24V | 06 |

► **Small Size Recessed LED Pool Light & Underwater Inground light**



94311
94312
94316

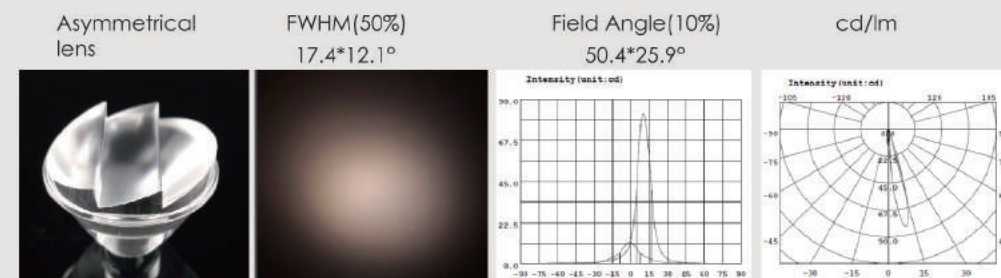
Asymmetrical lens



94311AS
94312AS
94316AS

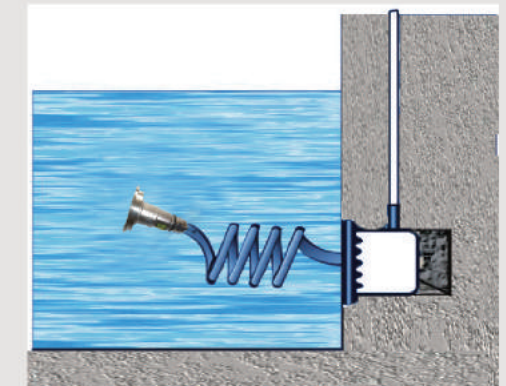


Asymmetrical lens:



Material specifications

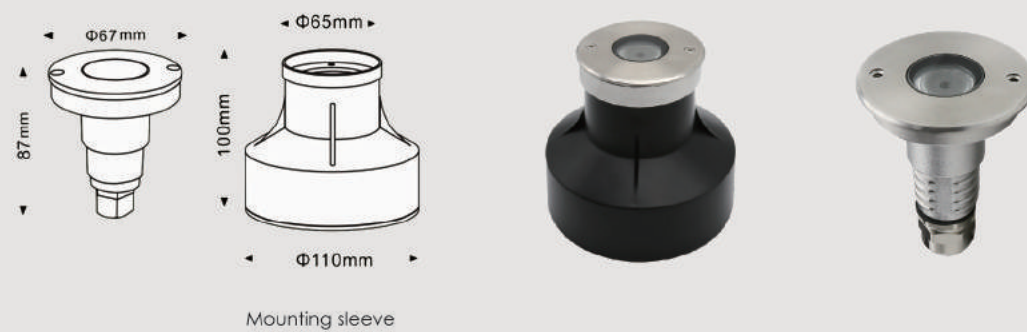
| | |
|--------------------------|--|
| Housing & Front cover: | Molding shaped 304* or 316L* stainless steel |
| Glass: | Step tempered glass T=7mm |
| Lens: | High quality optical lens, efficiency ≥ 85% |
| Cable gland: | IP-68 PG-11 copper and nickel coated |
| PCB: | Excellent heat conductivity aluminum, coefficient of heat conductivity ≥ 2.0w/mk |
| Driver: | Constant current output Single color LED=1-circuit output RGB 3in1 LED=3-circuits output |
| Power cable: | H05RN-F 2×0.75mm² L=2m(for Single color) H05RN-F 4×0.75mm² L=2m(for RGB) |
| Application environment: | Temperature of water between -20°C 40°C less than 1.0 meter depth. |
| Mounting sleeve: | Plastic |



Water must be allowed to go inside and outside sleeve freely without leaking to the other side.

***Warning:**
Must be installed under the water to prevent the lights from being burnt off because of the over-heating.

Outer Dimensions: _____ Unit:mm



***If the lens is Asymmetrical, the item number with "AS"**

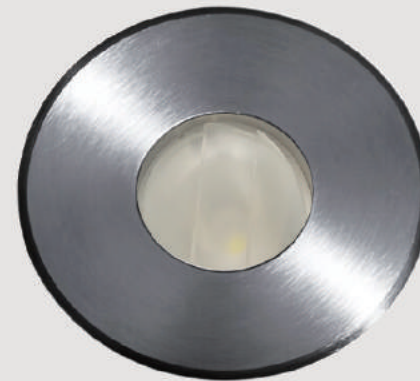
| Item No. | Light source | Lens beam angle(°) | Consumption (watt) | Input Voltage (V) | lk rate |
|-----------|--------------|----------------------|--------------------|-------------------|---------|
| 94311(AS) | 1x 1W | 8/15/25/30/45/60/90° | 1.1W | DC12V/DC24V | 07 |
| 94312(AS) | 1x2W | 8/15/25/30/45/60/90° | 2.4W | DC12V/DC24V | 07 |
| 94316(AS) | 1x3W RGB3in1 | 30/45/60° | 3.2W | DC12V/DC24V | 07 |

▶ Small Size Recessed LED Pool Light & Underwater Inground light

Asymmetrical lens



92011
92012
92016



92011AS
92012AS
92016AS

Material specifications

| | |
|--------------------------|---|
| Housing & Front cover: | Molding shaped 304# or 316L# stainless steel |
| Glass: | Step tempered glass T=7mm |
| Lens: | High quality optical lens, efficiency ≥ 85% |
| Cable gland: | IP-68 PG-11 copper and nickel coated |
| PCB: | Excellent heat conductivity aluminum, coefficient of heat conductivity ≥ 2.0w/mk |
| Driver: | Constant current output Single color LED=1-circuit output RGB 3in1 LED=3-circuits output |
| Power cable: | H05RN-F 2×0.75mm ² L=2m (for Single color) H05RN-F 4×0.75mm ² L=2m (for RGB) |
| Application environment: | Temperature of water between -20°C 40°C less than 1.0 meter depth. |
| Mounting sleeve: | Plastic |

*If the lens is Asymmetrical, the item number with "AS"

| Item No. | Light source | Lens beam angle(°) | Consumption (watt) | Input Voltage(V) | lk rate |
|-----------|---------------|----------------------|--------------------|-------------------|---------|
| 92011(AS) | 1x 1W | 8/15/25/30/45/60/90° | 1.1W | DC12V/DC24V | 07 |
| 92012(AS) | 1x 2W | 8/15/25/30/45/60/90° | 2.4W | DC12V/DC24V | 07 |
| 92016(AS) | 1x 3W RGB3in1 | 30/45/60° | 3.2W | DC12V/DC24V | 07 |



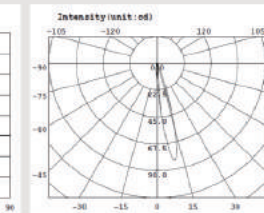
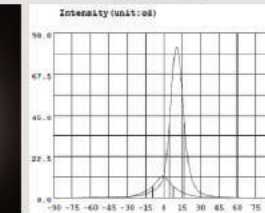
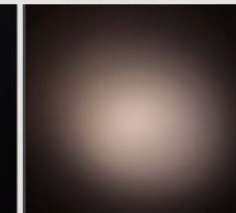
Asymmetrical lens:

Asymmetrical lens

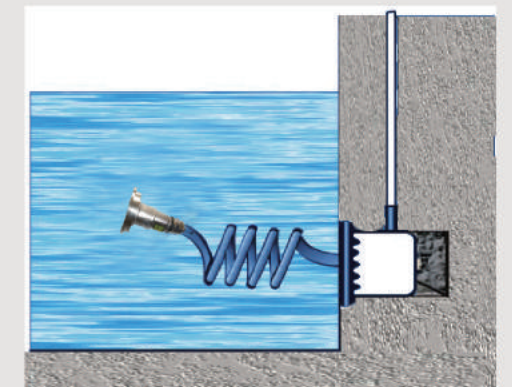
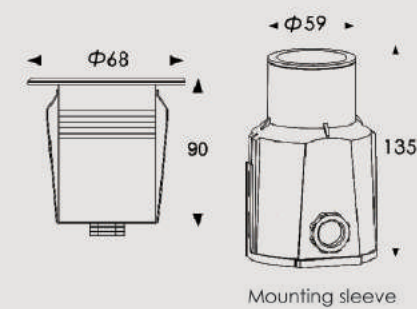
FWHM(50%)
17.4*12.1°

Field Angle(10%)
50.4*25.9°

cd/lm



Outer Dimensions: _____ Unit:mm



Water must be allowed to go inside and outside sleeve freely without leaking to the other side.

*Warning:
Must be installed under the water to prevent the lights from being burnt off because of the over-heating.

▶ **Stainless Steel
LED Swimming Pool Light**

Asymmetrical lens



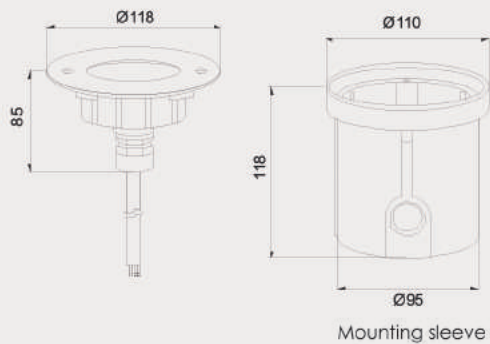
94631
94632
94636



94631 AS
94632 AS
94636 AS



Outer Dimensions: _____ Unit:mm



*If the lens is Asymmetrical, the item number with "AS"

| Item No. | Light source | Lens beam angle(°) | Consumption (watt) | Input Voltage(V) | lk rate |
|-----------|--------------|-----------------------|--------------------|------------------|---------|
| 94631(AS) | 3x1W LED | 8°/15/25/30/45/60/90° | 3.3W | DC12V/DC24V | 08 |
| 94632(AS) | 3x2W LED | 8°/15/25/30/45/60/90° | 7W | DC12V/DC24V | 08 |
| 94633(AS) | 3x1W RGB | 8°/15/25/30/45/60/90° | 3.1W | DC12V/DC24V | 08 |
| 94634(AS) | 3x2W RGB | 8°/15/25/30/45/60/90° | 6.5W | DC12V/DC24V | 08 |
| 94636(AS) | 3x3W RGB3in1 | 25° /30/45/60° | 9.2W | DC12V/DC24V | 08 |

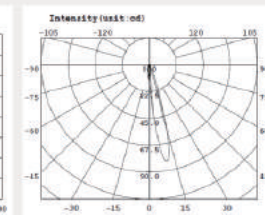
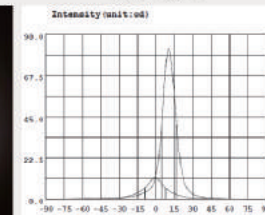
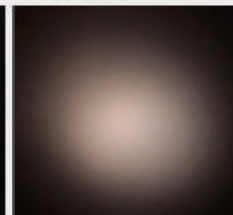
Asymmetrical lens: _____

Asymmetrical lens

FWHM(50%)
17.4*12.1°

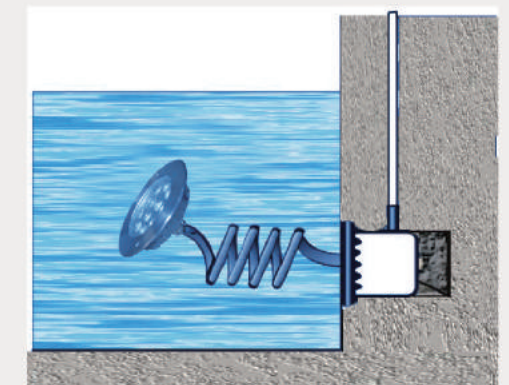
Field Angle(10%)
50.4*25.9°

cd/lm



Material specifications _____

| | |
|--------------------------|---|
| Front cover&Housing: | Molding shaped 304# or 316L# stainless steel |
| Glass: | Step tempered glass T=8mm |
| Lens: | High quality optical lens, efficiency≥85% |
| Cable gland: | IP-68 PG-11 copper and nickel coated |
| MCP CB: | Excellent heat conductivity aluminum, coefficient of heat conductivity≥2.0w/mk; |
| Driver: | Constant current output Single color LED=1-circuit output RGB LED=3-circuit output RGB 3in1 LED=3-circuit output |
| Application environment: | Temperature of water between -20°C ~ 40°C less than 1.0 meter depth. |
| Power cable: | H05RN-F 2×0.75mm² L=2m(for single color) H05RN-F 4×0.75mm² L=2m(for RGB) |
| Mounting sleeve: | Plastic |



Water must be allowed to go inside and outside sleeve freely without leaking to the other side.

*Warning:
Must be installed under the water to prevent the lights from being burnt off because of the over-heating.

▶ **Stainless steel wall recessed LED pool light**



▶ **LED swimming pool light**

complete stainless steel SUS304 or 316# housing & Accessories

Asymmetrical lens



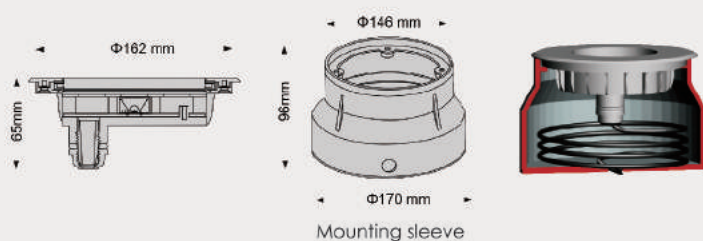
94761
94762
94766



94791
94792
94796



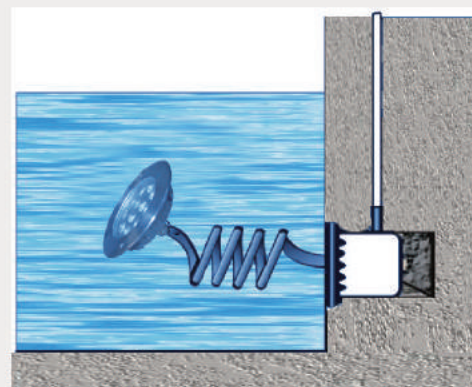
94761AS
94762AS
94766AS



- LED Colour Temperature
 - 2700K • 3000K
 - 4000K • 6000K
- optics
 - 8°/15°/25°/30°/45°/60°/90°

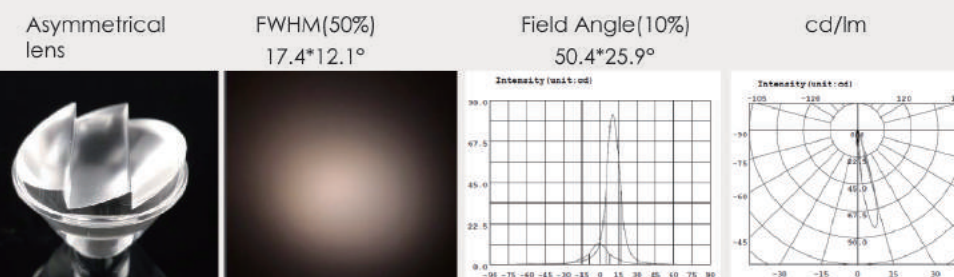
Material specifications

| | |
|--------------------------|---|
| Front cover & Housing: | Molding shaped 304# or 316L# stainless steel |
| Glass: | Tempered glass T=8mm |
| Lens: | Optical lens, efficiency ≥85% |
| Cable gland: | IP-68 PG-11 copper and nickel coated |
| MCP CB: | Excellent heat conductivity aluminum, coefficient of heat conductivity ≥2.0w/mk; |
| Driver: | Constant current output Single color LED=1-circuit output RGB LED=3-circuit output RGB 3in1 LED=3-circuit output |
| Application environment: | Temperature of water between -20°C ~40°C less than 1.0 meter depth. |
| Power cable: | H05RN-F 2×0.75mm² L=2m (for Single color) H05RN-F 4×0.75mm² L=2m (for RGB) |
| Mounting sleeve: | Plastic |



Water must be allowed to go inside and outside sleeve freely without leaking to the other side.

***Warning:**
Must be installed under the water to prevent the lights from being burnt off because of the over-heating.



*If the lens is Asymmetrical, the item number with "AS"

| Item No. | Light source | Lens beam angle(°) | Consumption (watt) | Input Voltage (V) | lk rate |
|------------|--------------|--------------------|--------------------|-------------------|---------|
| 94761 (AS) | 6x1W | 15°/30°/45° | 6.5W | DC24V | 08 |
| 94762 (AS) | 6x2W | 15°/30°/45° | 14W | DC24V | 08 |
| 94766 (AS) | 6x3W RGB3in1 | 15°/30°/45° | 17.8W | DC24V | 08 |
| 94791 | 9x1W | 15°/25°/45°/60° | 9.6W | DC12V/DC24V | 08 |
| 94792 | 9x2W | 15°/25°/45°/60° | 19.8W | DC12V/DC24V | 08 |
| 94793 | 9x1W RGB | 15°/25°/45°/60° | 9.2W | DC12V/DC24V | 08 |
| 94794 | 9x2W RGB | 15°/25°/45°/60° | 17.5W | DC12V/DC24V | 08 |
| 94796 | 9x3W RGB3in1 | 25°/45°/60° | 25.2W | DC24V | 08 |

▶ Stainless steel LED swimming pool light

complete stainless steel SUS304 or 316# housing & Accessories

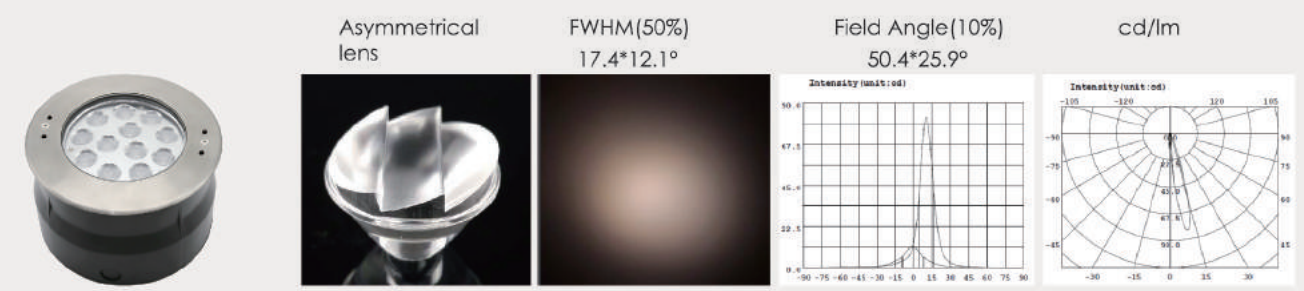
Asymmetrical lens



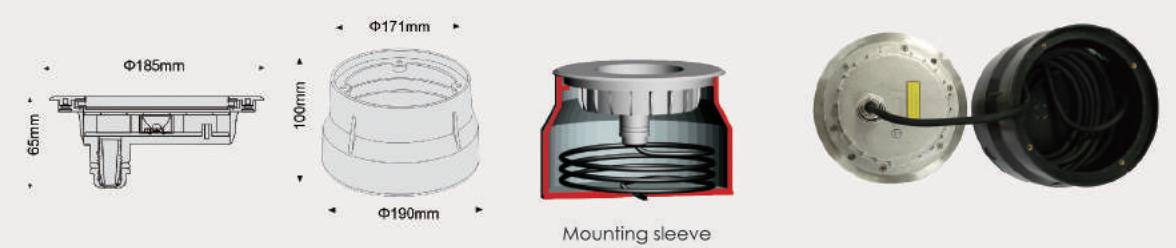
948121/948122/948123/948124/948126



948121AS/948122AS/948123AS/948124AS/948126AS

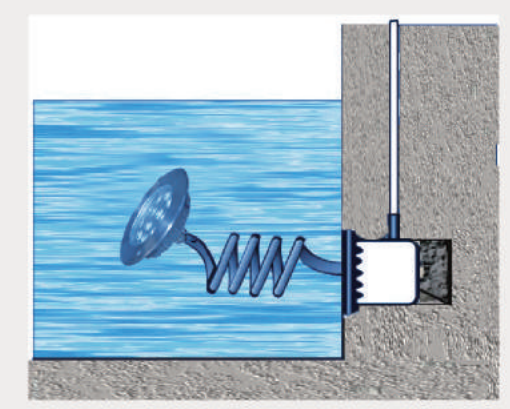


Outer Dimensions: _____ Unit:mm



Material specifications

| | |
|--------------------------|---|
| Front cover & Housing: | Molding shaped 304 [#] or 316L [#] stainless steel |
| Glass: | Tempered glass T=8mm |
| Lens: | Optical lens, efficiency ≥85% |
| Cable gland: | IP-68 PG-11 copper and nickel coated |
| MCP CB: | Excellent heat conductivity aluminum, coefficient of heat conductivity ≥2.0w/mk; |
| Driver: | Constant current output Single color LED=1-circuit output RGB LED=3-circuit output RGB 3in1 LED=6-circuit output |
| Application environment: | Temperature of water between -20°C ~ 40°C less than 1.0 meter depth. |
| Power cable: | H05RN-F 2×0.75mm ² L=2m(for Single color) H05RN-F 4×0.75mm ² L=2m(for RGB) |
| Mounting sleeve: | Plastic |



Water must be allowed to go inside and outside sleeve freely without leaking to the other side.

***Warning:**
Must be installed under the water to prevent the lights from being burnt off because of the over-heating.

*If the lens is Asymmetrical, the item number with "AS"

| Item No. | Light source | Lens beam angle(°) | Consumption (watt) | Input Voltage(V) | lk rate |
|------------|---------------|------------------------|--------------------|-------------------|---------|
| 948121(AS) | 12x1W | 8°/15°/25°/30°/45°/60° | 12.6W | DC24V | 08 |
| 948122(AS) | 12x2W | 8°/15°/25°/30°/45°/60° | 25W | DC24V | 08 |
| 948123(AS) | 12x1W RGB | 8°/15°/25°/30°/45°/60° | 12.1W | DC24V | 08 |
| 948124(AS) | 12x2W RGB | 8°/15°/25°/30°/45°/60° | 23.8W | DC24V | 08 |
| 948126(AS) | 12x3W RGB3in1 | 25°/30°/45°/60° | 35.2W | DC24V | 08 |

▶ Wall Recessed Underwater LED Linear Light

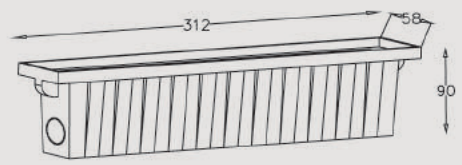
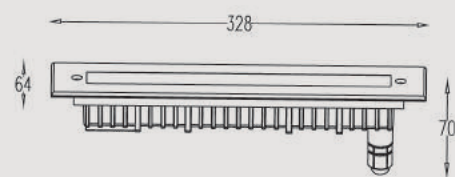


▶ Asymmetrical lens

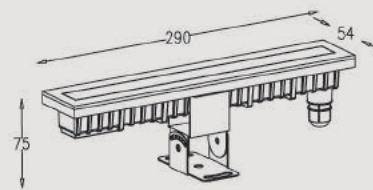


spot light version

Outer Dimensions: _____ Unit:mm



Mounting sleeve



spot light version

*If the lens is Asymmetrical, the item number with "AS"

| Item No. | Light source | Lens beam angle() | Consumption (watt) | Input Voltage(V) | Ik rate |
|-------------|-------------------|--------------------|--------------------|-------------------|---------|
| 920461 (AS) | 6x1W LED | 8°/15°/20°/30°/60° | 6.6W | 24VDC | 08 |
| 920462(AS) | 6x2W LED | 8°/15°/20°/30°/60° | 12.5W | 24VDC | 08 |
| 9204127 | 12xSMD Osram 3030 | 120° | 6W | 24VDC | 08 |

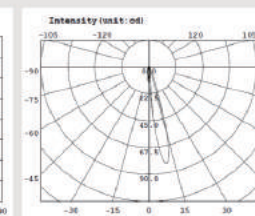
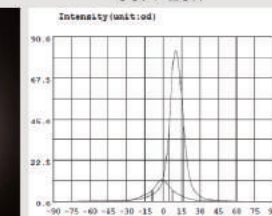
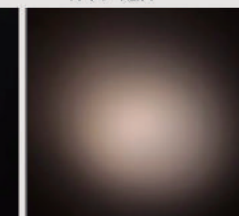
Asymmetrical lens:

Asymmetrical lens

FWHM(50%)
17.4*12.1°

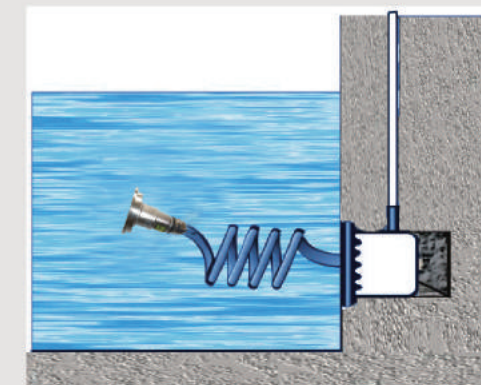
Field Angle(10%)
50.4*25.9°

cd/lm



Material specifications

| | |
|--------------------------|---|
| Front cover&Housing: | Molding shaped 304# or 316L# stainless steel |
| Glass: | Step tempered glass T=8mm |
| Lens: | High quality optical lens, efficiency≥85% |
| Cable gland: | IP-68 PG-11 copper and nickel coated |
| MCPCB: | Excellent heat conductivity aluminum, coefficient of heat conductivity≥2.0w/mk |
| Loading Capacity: | Exert force area of ϕ10=660kgs, ϕ30=1840kgs |
| Driver: | Constant current output Single color LED=1-circuit output RGB 3in1 LED=3-circuits output |
| Application environment: | Temperature of water between -20°C ~40°C less than 1.0 meter depth. |
| Power cable: | H05RN-F 2×0.75mm ² L=2m(for Single color) H05RN-F 4×0.75mm ² L=2m(for RGB) |
| Mounting sleeve: | Plastic |



Water must be allowed to go inside and outside sleeve freely without leaking to the other side.

*Warning:
Must be installed under the water to prevent the lights from being burnt off because of the over-heating.

► Powerful LED swimming pool light

complete stainless steel SUS304 or 316# housing&Accessories



946181
946182

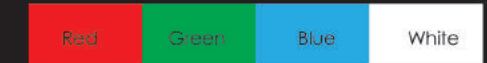


► RED GREEN BLUE WHITE 4 Colors Mixing LED swimming pool light

complete stainless steel SUS304 or 316# housing&Accessories



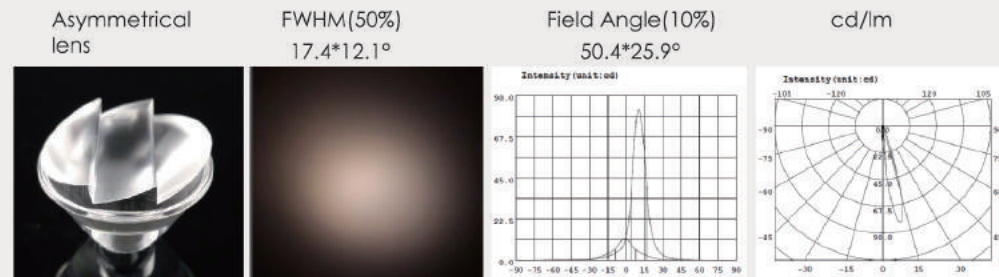
94687
94689



Outer Dimensions: _____ Unit:mm



Asymmetrical lens:



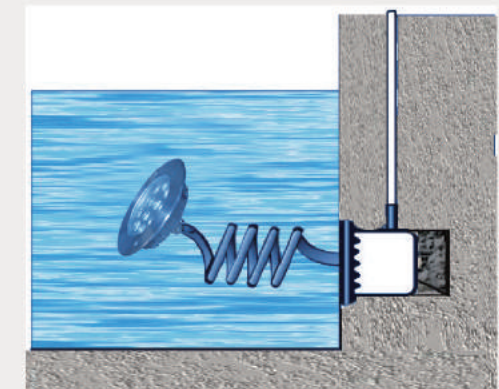
*If the lens is Asymmetrical, the item number with "AS"

| Item No. | Light source | Lens beam angle(°) | Consumption (watt) | Input Voltage(V) | lk rate |
|------------|--------------|------------------------|--------------------|-------------------|---------|
| 946181(AS) | 18x1W | 8°/15°/25°/30°/45°/60° | 18.6W | DC24V | 10 |
| 946182(AS) | 18x2W | 8°/15°/25°/30°/45°/60° | 37.5W | DC24V | 10 |

| Item No. | Light source | Lens beam angle(°) | Consumption (watt) | Input Voltage(V) | lk rate |
|----------|-------------------------------------|---------------------|--------------------|-------------------|---------|
| 94689 | 8x5W RGBW4in1 (W=3000K,4000K,6000K) | 15°/25°/30°/45°/60° | 18.6W | DC24V | 10 |
| 94687 | 8x6W | 15°/25°/30°/60° | 45.5W | DC24V | 10 |

Material specifications

| | |
|--------------------------|--|
| Front cover&Housing: | Molding shaped 304# or 316L# stainless steel |
| Glass: | Tempered glass T=10mm |
| Lens: | Optical lens, efficiency ≥85% |
| Cablegland: | IP-68 PG-11 copper and nickel coated |
| MCPCB: | Excellent heat conductivity aluminum, coefficient of heat conductivity ≥2.0w/mk; |
| Driver: | Constant current output Single color LED=1-circuit output RGB LED=3-circuit output RGBW 4in1 LED=4-circuit output |
| Application environment: | Temperature of water between -20°C ~ 40°C less than 1.0 meter depth. |
| Power cable: | H05RN-F 2×0.75mm² L=2m(for Single color) H05RN-F 5×0.75mm² L=2m(for RGBW4in1) |
| Mounting sleeve: | Plastic |

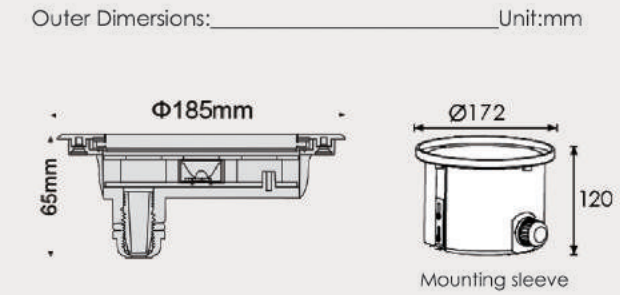


Water must be allowed to go inside and outside sleeve freely without leaking to the other side.

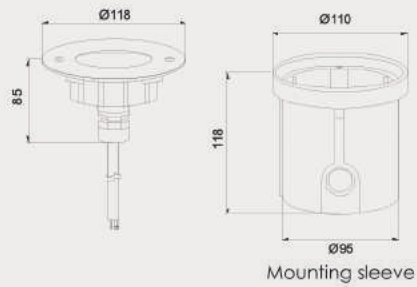
*Warning:
Must be installed under the water to prevent the lights from being burnt off because of the over-heating.

► RED GREEN BLUE WHITE 4in1 Recessed LED underwater light

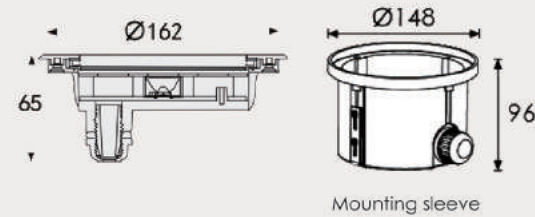
Complete stainless steel SUS304 or 316# housing&Accessories



Outer Dimensions: _____ Unit:mm

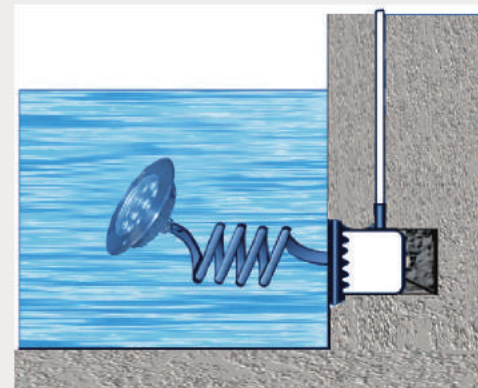


Outer Dimensions: _____ Unit:mm



Material specifications

| | |
|--------------------------|--|
| Front cover&Housing: | Molding shaped 304# or 316L# stainless steel |
| Glass: | Tempered glass T=10mm |
| Lens: | Optical lens,efficiency>85% |
| Cable gland: | IP-68 PG-11 copper and nickel coated |
| MCPCB: | Excellent heat conductivity aluminum, coefficient of heat conductivity≥2.0w/mk; |
| Driver: | Constant current output Single color LED=1-circuit output RGB LED=3-circuit output RGBW 4in1 LED=4-circuit output |
| Application environment: | Temperature of water between -20°C ~40°C less than 1.0 meter depth. |
| Power cable: | H05RN-F 2×0.75mm² L=2m(for Single color) H05RN-F 5×0.75mm² L=2m(for RGBW4in1) |
| Mounting sleeve: | Plastic |



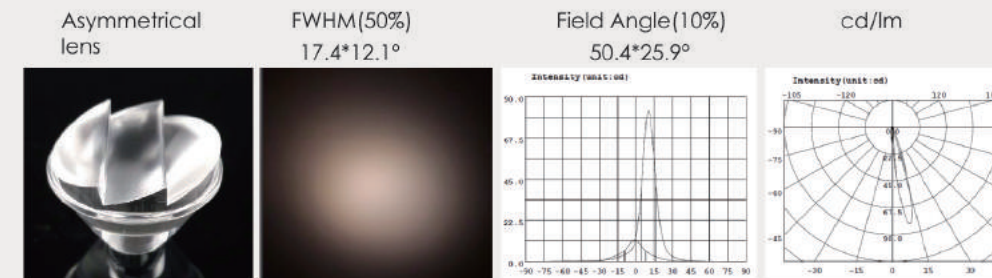
Water must be allowed to go inside and outside sleeve freely without leaking to the other side.

***Warning:**
Must be installed under the water to prevent the lights from being burnt off because of the over-heating.

► RED GREEN BLUE WHITE 4 Colors Mixing LED swimming pool light



Asymmetrical lens:



*If the lens is Asymmetrical, the item number with "AS"

| Item No. | Light source | Lens beam angle(°) | Consumption (watt) | Input Voltage(V) | Ik rate |
|-----------|-------------------------------------|---------------------|--------------------|------------------|---------|
| 94629(AS) | 2x5W RGBW4in1 (W=3000K,4000K,6000K) | 15°/25°/30°/45°/60° | 10.2W | DC12V/DC24V | 08 |
| 94627(AS) | 2x6W LED | 15°/25°/30°/45°/60° | 12.5W | DC12V/DC24V | 08 |
| 94749(AS) | 4x5W RGBW4in1 (W=3000K,4000K,6000K) | 15°/25°/30°/45°/60° | 20.4W | DC24V | 08 |
| 94747(AS) | 4x6W LED | 15°/25°/30°/45°/60° | 24.8W | DC24V | 08 |
| 94869 | 6x5W RGBW4in1 (W=3000K,4000K,6000K) | 15°/25°/30°/45°/60° | 30.6W | DC24V | 08 |
| 94867 | 6x6W LED | 15°/25°/30°/60° | 35.5W | DC24V | 08 |

IP68
OUTDOOR RATED

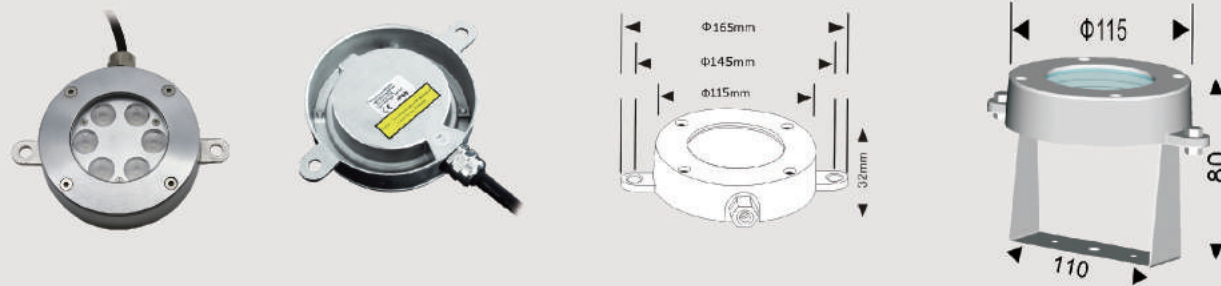
LED Fountain Light Series



▶ High Power LED Fountain Light Music Fountain light



- LED Colour Temperature
 - 2700K • 3000K
 - 4000K • 6000K
- optics
 - 8°/15°/25°/30°/45°/60°/90°

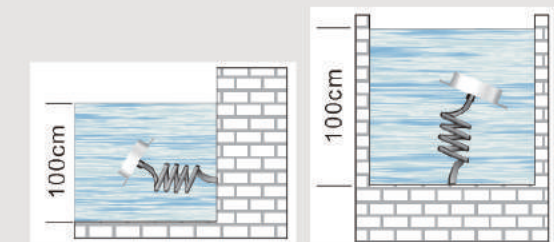


Optional stainless steel bracket

| Item No. | Light source | Lens beam angle(°) | Consumption (watt) | Input Voltage(V) | lk rate |
|----------|---------------------|----------------------------|--------------------|-------------------|---------|
| 94261 | 6x1W | 8°/15°/25°/30°/45°/60°/90° | 6.3 | DC24V | 08 |
| 94262 | 6x2W | 8°/15°/25°/30°/45°/60°/90° | 12.8 | DC24V | 08 |
| 94263 | 6x1W RGB (2R 2G 2B) | 8°/15°/25°/30°/45°/60°/90° | 5.8 | DC12V/DC24V | 08 |
| 94264 | 6x2W RGB (2R 2G 2B) | 8°/15°/25°/30°/45°/60°/90° | 5.7 | DC12V/DC24V | 08 |
| 94266 | 6x3W RGB3in1 | 25°/30°/45°/60° | 17.6 | DC24V | 08 |

Material specifications

| | |
|--------------------------|--|
| Housing&Front cover: | Molding shaped 304 or 316L# stainlesssteel |
| Glass: | Step tempered glassT=8mm |
| Lens: | High quality optical lens, efficiency≥85% |
| Cable gland: | IP-68 PG-11 copper and nickel coated |
| PCB: | Excellent heat conductivity aluminum coefficient of heat conductivity≥2.0w/mk |
| Driver: | Constant current output Single color LED=1-circuit output RGB 3in1 LED=3-circuits output |
| Application environment: | Temperature of water between -20°C 40°C less than 1.0 meter depth. |
| Power cable: | H05RN-F 2×0.75mm L=2m(for Single color) H05RN-F 4×0.75mm² L=2m(for RGB) |



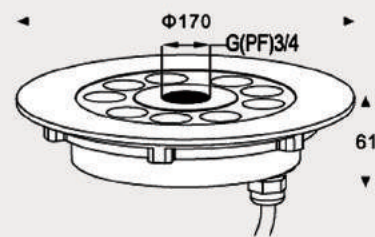
***Warning:**
Must be installed under the water to prevent the lights from being burnt off because of the over-heating.

▶ Central Ejective Fountain Light
Dry jet fountain light



9409X

- LED Colour Temperature
 - 2700K • 3000K
 - 4000K • 6000K
- optics
 - 8°/15°/25°/30°/45°/60°/90°



9409X

Material specifications

| | |
|--------------------------|---|
| Front cover&Housing: | Molding shaped 304# or 316L# stainless steel |
| Glass: | Tempered glass T=10mm |
| Lens: | Optical lens, efficiency ≥85% |
| Cable gland: | IP-68 PG-11 copper and nickel coated |
| LED: | High power CREE & OSRAM LED |
| MPCB: | Excellent heat conductivity aluminum, coefficient of heat conductivity ≥2.0w/mk; |
| Driver: | Constant current output Single color LED=3-circuit output RGB LED=3-circuit output RGB 3in1 LED=6-circuit output |
| Application environment: | Temperature of water between -20°C -40°C less than 1.0 meter depth. |
| Power cable: | H05RN-F 2×1.0mm ² L=2m(for Single color) |



*Warning:
Must be installed under the water to prevent the lights from being burnt off because of the over-heating.

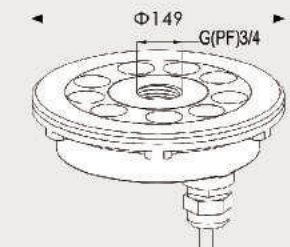
▶ Central Ejective Fountain Light



9409XB



Central Ejective



9409XB

*Warning:
Must be installed under the water to prevent the lights from being burnt off because of the over-heating.

| Item No. | Light source | Lens beam angle(°) | Consumption (watt) | Input Voltage(V) | lk rate |
|-----------------|--------------|----------------------------|--------------------|-------------------|---------|
| 94091 94091B | 9x1W | 8°/15°/20°/30°/45°/60°/90° | 9.4 | DC12V/DC24V | 09 |
| 94092 94092B | 9x2W | 8°/15°/20°/30°/45°/60°/90° | 19.2 | DC12V/DC24V | 09 |
| 94093 94093B | 9x1W RGB | 8°/15°/20°/30°/45°/60°/90° | 9.0 | DC12V/DC24V | 09 |
| 94094 94094B | 9x2W RGB | 8°/15°/20°/30°/45°/60°/90° | 17.4 | DC12V/DC24V | 09 |
| 94096 94096B | 9x3W RGB3in1 | 8°/15°/20°/30°/45°/60°/90° | 26.1 | DC12V/DC24V | 09 |

▶ High Power LED Fountain Light Music Fountain light



- LED Colour Temperature
 - 2700K • 3000K
 - 4000K • 6000K
- optics
 - 8°/15°/25°/30°/45°/60°/90°



| Item No. | Light source | Lens beam angle(°) | Consumption (watt) | Input Voltage(V) | lk rate |
|----------|--------------|----------------------------|--------------------|-------------------|---------|
| 94191 | 9x1W | 8°/15°/20°/30°/45°/60°/90° | 9.4 | DC12V/DC24V | 06 |
| 94192 | 9x2W | 8°/15°/20°/30°/45°/60°/90° | 19.2 | DC12V/DC24V | 06 |
| 94193 | 9x1W RGB | 8°/15°/20°/30°/45°/60°/90° | 9.0 | DC12V/DC24V | 06 |
| 94194 | 9x2W RGB | 8°/15°/20°/30°/45°/60°/90° | 17.4 | DC12V/DC24V | 06 |
| 94196 | 9x3W RGB3in1 | 8°/15°/20°/30°/45°/60°/90° | 26.1 | DC12V/DC24V | 06 |

Material specifications

| | |
|--------------------------|--|
| Housing&Front cover: | Molding shaped 304 or 316L# stainless steel |
| Glass: | Step tempered glass T=5mm |
| Lens: | High quality optical lens, efficiency ≥85% |
| Cable gland: | IP-68 PG-11 copper and nickel coated |
| PCB: | Excellent heat conductivity aluminum coefficient of heat conductivity ≥2.0w/mk |
| Driver: | Constant current output Single color LED=1-circuit output RGB 3in1 LED=3-circuits output |
| Application environment: | Temperature of water between -20°C 40°C less than 1.0 meter depth. |
| Power cable: | H05RN-F 2×0.75mm L=2m(for Single color) H05RN-F 4×0.75mm² L=2m(for RGB) |



***Warning:**
Must be installed under the water to prevent the lights from being burnt off because of the over-heating.

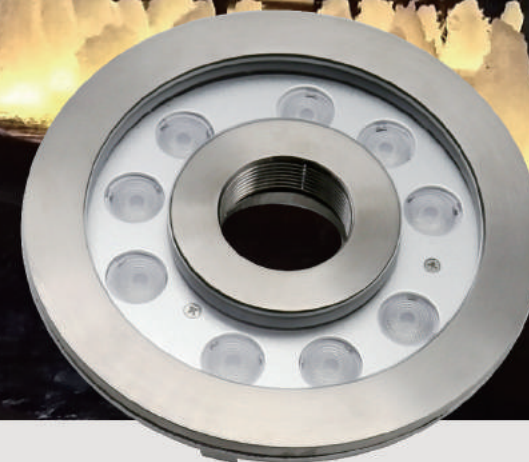
▶ **Stainless steel LED Fountain Light**
LED light for Dry Fountain



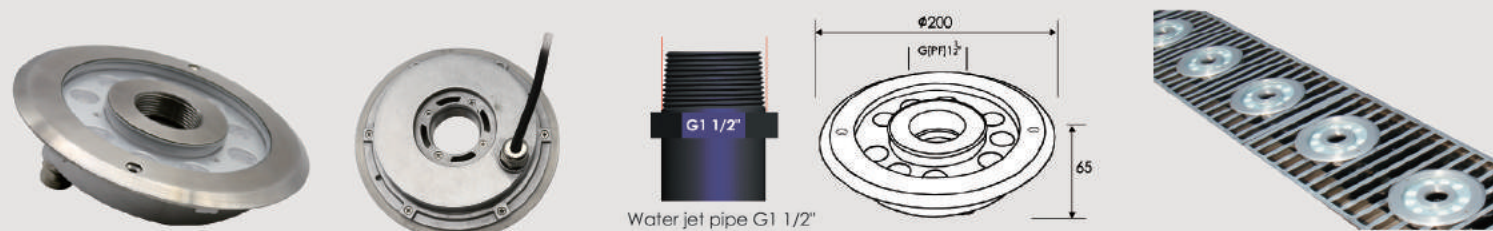
9429X

- LED Colour Temperature
 - 2700K • 3000K
 - 4000K • 6000K
- optics
 - 8°/15°/25°/30°/45°/60°/90°

▶ **DMX512 LED Fountain Light**
Music Fountain Light



9429XB



***Warning:**
Must be installed under the water to prevent the lights from being burnt off because of the over-heating.

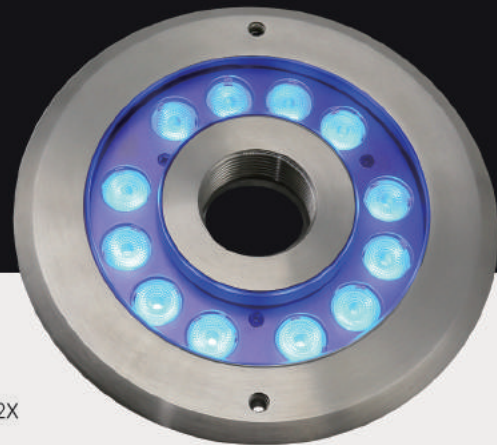
| Material specifications | |
|--------------------------|--|
| Housing&Front cover: | Molding shaped 304 or 316L# stainless steel |
| Glass: | Step tempered glass T=10mm |
| Lens: | High quality optical lens, efficiency≥85% |
| Cable gland: | IP-68 PG-11 copper and nickel coated |
| PCB: | Excellent heat conductivity aluminum coefficient of heat conductivity≥2.0w/mk |
| Driver: | Constant current output Single color LED=1-circuit output RGB 3in1 LED=3-circuits output |
| Application environment: | Temperature of water between -20°C 40°C less than 1.0 meter depth. |
| Power cable: | H05RN-F 2×0.75mm L=2m(for single color) H05RN-F 4×0.75mm ² L=2m(for RGB) |



***Warning:**
Must be installed under the water to prevent the lights from being burnt off because of the over-heating.

| Item No. | Light source | Lens beam angle(°) | Consumption (watt) | Input Voltage(V) | Ik rate |
|-----------------|--------------|----------------------------|--------------------|--------------------|---------|
| 94291 94291B | 9x1W | 8°/15°/20°/30°/45°/60°/90° | 9.4 | DC12V/DC24V | 09 |
| 94292 94292B | 9x2W | 8°/15°/20°/30°/45°/60°/90° | 19.2 | DC12V/DC24V | 09 |
| 94293 94293B | 9x1W RGB | 8°/15°/20°/30°/45°/60°/90° | 9.0 | DC12V/DC24V | 09 |
| 94294 94294B | 9x2W RGB | 8°/15°/20°/30°/45°/60°/90° | 17.4 | DC12V/DC24V | 09 |
| 94296 94296B | 9x3W RGB3in1 | 8°/15°/20°/30°/45°/60°/90° | 26.1 | DC12V/DC24V | 09 |

▶ DMX512 LED Fountain Light, Dry Land Fountain Light



94212X



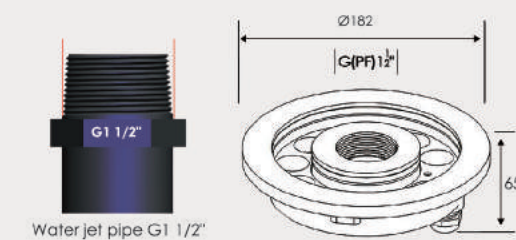
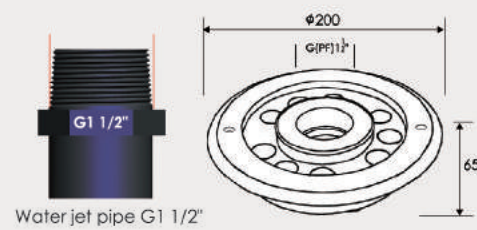
- LED Colour Temperature
 - 2700K • 3000K
 - 4000K • 6000K
- optics
 - 8°/15°/25°/30°/45°/60°/90°

▶ Central Ejective LED fountain light



94212XB

- LED Colour Temperature
 - 2700K • 3000K
 - 4000K • 6000K
- optics
 - 8°/15°/25°/30°/45°/60°/90°



*Warning: Must be installed under the water to prevent the lights from being burnt off because of the over-heating.

*Warning: Must be installed under the water to prevent the lights from being burnt off because of the over-heating.

| Item No. | Light source | Lens beam angle (°) | Consumption (watt) | Input Voltage (V) | Ik rate |
|-------------------|---------------|----------------------------|--------------------|-------------------|---------|
| 942121 942121B | 12x1W | 8°/15°/20°/30°/45°/60°/90° | 12.4 | DC12V/DC24V | 09 |
| 942122 94122B | 12x2W | 8°/15°/20°/30°/45°/60°/90° | 24.6 | DC12V/DC24V | 09 |
| 942123 942123B | 12x1W RGB | 8°/15°/20°/30°/45°/60°/90° | 12.0 | DC12V/DC24V | 09 |
| 942124 942124B | 12x2W RGB | 8°/15°/20°/30°/45°/60°/90° | 23.5 | DC12V/DC24V | 09 |
| 942126 942126B | 12x3W RGB3in1 | 8°/15°/20°/30°/45°/60°/90° | 35.4 | DC12V/DC24V | 09 |



Material specifications

| | |
|--------------------------|--|
| Front cover&Housing: | Molding shaped 304# or 316L# stainless steel |
| Glass: | Step tempered glass T=10mm |
| Lens: | Optical lens, efficiency≥85% |
| Cable gland: | IP-68 PG-11 copper and nickel coated |
| LED: | High power CREE or Bridgelux LED |
| PCB: | Excellent heat conductivity aluminum coefficient of heat conductivity≥2.0w/mk |
| Driver: | Constant current output Single color LED=1-circuit output RGB 3in1 LED=3-circuits output |
| Application environment: | Temperature of water between -20°C -40°C less than 1.0 meter depth. |
| Power cable: | H05RN-F 2×1.0mm L=2m(for Single color) H05RN-F 4×0.75mm² L=2m(for RGB) |



IP68
OUTDOOR RATED

Underwater Spot Light Series



▶ SMALL SIZE LED UNDERWATER SPOTS

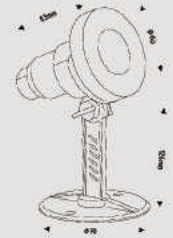


95311/95312/95316

- LED Colour Temperature
 - 2700K • 3000K
 - 4000K • 6000K
- Optics
 - 8°/15°/25°/30°/
 - 45°/60°/90°

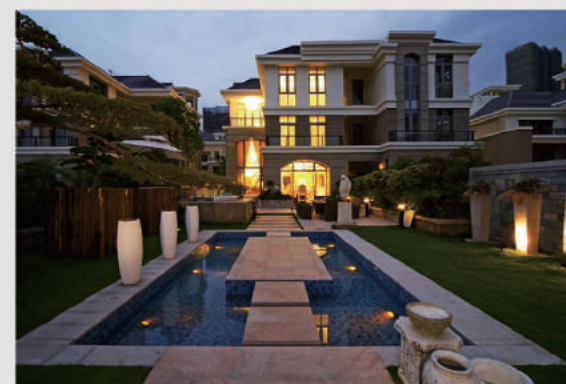


Outer Dimensions: _____ Unit:mm



Material specifications

| | |
|--------------------------|---|
| Housing | Molding shaped 304 [#] or 316L [#] stainless steel |
| Bracket: | Stainless steel 304 [#] or 316L [#] |
| Front cover: | Stainless steel sus304 [#] or sus316L [#] |
| Glass: | Step tempered glass T=7mm |
| Lens: | Optical lens, efficiency ≥85% |
| Cable gland: | IP-68 PG-11 copper and nickel coated |
| LED: | High quality LED; |
| PCB: | Excellent heat conductivity aluminum, coefficient of heat conductivity ≥2.0w/mk |
| Gasket: | Molding shaped silicone seal |
| Power cable: | H05RN-F 2×0.75mm ² L=2m(for Single color) H05RN-F 4×0.75mm ² L=2m(for RGB) |
| Application environment: | Temperature of water between -20°C 40°C less than 1.0 meter depth. |



***Warning:**
Must be installed under the water to prevent the lights from being burnt off because of the over-heating.

| Item No. | Light source | Lens beam angle(°) | Consumption (watt) | Input Voltage(V) | lk rate |
|----------|-----------------|----------------------------|--------------------|--------------------|---------|
| 95311 | 1x1W LED | 8°/15°/25°/30°/45°/60°/90° | 1.1W | 24VDC/12VDC | 07 |
| 95312 | 1x2W LED | 8°/15°/25°/30°/45°/60°/90° | 2.5W | 24VDC/12VDC | 07 |
| 95316 | 1x3W RGB3in1LED | 25°/30°/45°/60° | 3.3W | 24VDC/12VDC | 07 |

▶ STAINLESS STEEL LED UNDERWATER SPOT LIGHT

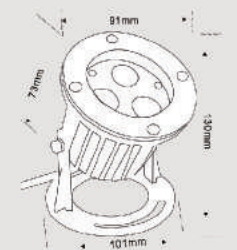


90031/90032/90033/90034/90036

- LED Colour Temperature
 - 2700K • 3000K
 - 4000K • 6000K
- Optics
 - 8°/15°/25°/30°/45°/60°/90°



Outer Dimensions: _____ Unit:mm



Material specifications

| | |
|--------------------------|---|
| Housing | Molding shaped 304 [#] or 316L [#] stainless steel |
| Bracket: | Stainless steel 304 [#] or 316L [#] |
| Front cover: | Stainless steel sus304 [#] or sus316L [#] |
| Glass: | Step tempered glass T=5mm |
| Lens: | Optical lens, efficiency ≥85% |
| Cable gland: | IP-68 PG-11 copper and nickel coated |
| LED: | High quality LED; |
| PCB: | Excellent heat conductivity aluminum, coefficient of heat conductivity ≥2.0w/mk |
| Gasket: | Molding shaped silicone seal |
| Power cable: | H05RN-F 2×0.75mm ² L=2m(for Single color) H05RN-F 4×0.75mm ² L=2m(for RGB) |
| Application environment: | Temperature of water between -20°C 40°C less than 1.0 meter depth. |

***Warning:**
Must be installed under the water to prevent the lights from being burnt off because of the over-heating.

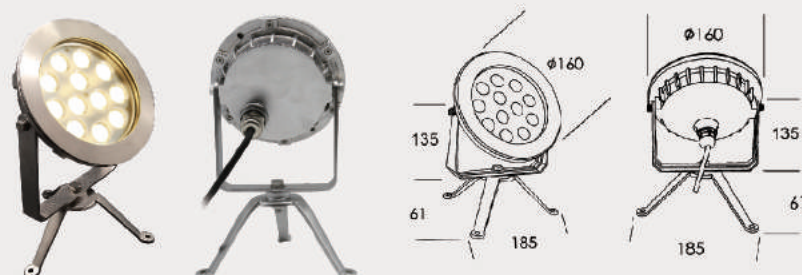
| Item No. | Light source | Lens beam angle(°) | Consumption (watt) | Input Voltage(V) | lk rate |
|----------|----------------------------|----------------------------|--------------------|--------------------|---------|
| 90031 | 3x1W LED | 8°/15°/25°/30°/45°/60°/90° | 3.2W | 24VDC/12VDC | 05 |
| 90032 | 3x2W LED | 8°/15°/25°/30°/45°/60°/90° | 6.3W | 24VDC/12VDC | 05 |
| 90033 | 3x1W RGB LED (1R,1G,1B) | 8°/15°/25°/30°/45°/60°/90° | 3.0W | 24VDC/12VDC | 05 |
| 90034 | 3x2W RGB LED (1R,1G,1B) | 8°/15°/25°/30°/45°/60°/90° | 6.1W | 24VDC/12VDC | 05 |
| 90036 | 1x3W RGB3in1LED | 25°/30°/45°/60° | 3.3W | 24VDC/12VDC | 05 |

▶ Stainless Steel LED Underwater Spot Light

Completely Hard Chromeplated Stainless steel Housing & Accessories



Outer Dimensions Unit: mm



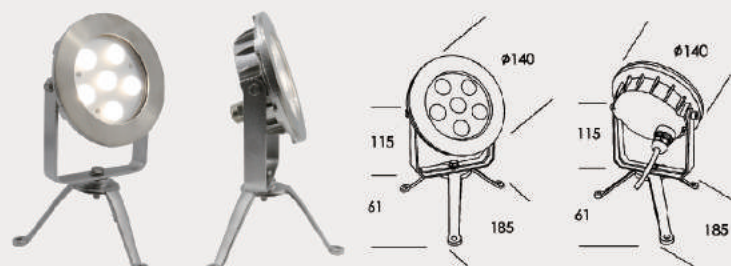
***Warning:**
Must be installed under the water to prevent the lights from being burnt off because of the over-heating.

Material specifications

| | |
|--------------------------|---|
| Housing | Molding shaped 304# or 316L# stainless steel |
| Bracket: | Stainless steel 304# or 316L# |
| Front cover: | Stainless steel SUS304# or SUS316L# |
| Glass: | Step tempered glass T=8mm |
| Lens: | Optical lens, efficiency ≥85% |
| Cable gland: | IP-68 PG-11 copper and nickel coated |
| LED: | High power CREE/Bridgelux/Epistar LED; |
| PCB: | Excellent heat conductivity aluminum, coefficient of heat conductivity ≥2.0w/mk |
| Gasket: | Molding shaped silicone seal |
| Power cable: | H05RN-F 2×0.75mm ² L=2m (for Single color) H05RN-F 4×0.75mm ² L=2m (for RGB) |
| Application environment: | Temperature of water between -20°C 40°C less than 1.0 meter depth. |



Outer Dimensions Unit: mm



***Warning:**
Must be installed under the water to prevent the lights from being burnt off because of the over-heating.

| Item No. | Light source | Lens beam angle (°) | Consumption (watt) | Input Voltage (V) | Ik rate |
|----------|----------------------|----------------------------|--------------------|-------------------|---------|
| 95761 | 6x1W | 15°/30°/45°/60° | 6.2 | DC24V | 08 |
| 95762 | 6x2W | 15°/30°/45°/60° | 12.6 | DC24V | 08 |
| 95766 | 6x3W RGB3in1 | 30°/45°/60° | 18.6 | DC24V | 08 |
| 958121 | 12x1W | 8°/15°/25°/30°/45°/60°/90° | 12.2 | DC24V | 08 |
| 958122 | 12x2W | 8°/15°/25°/30°/45°/60°/90° | 24.6 | DC24V | 08 |
| 958123 | 12x1W RGB (4R,4G,4B) | 8°/15°/25°/30°/45°/60°/90° | 11.4 | DC24V | 08 |
| 958123 | 12x2W RGB (4R,4G,4B) | 8°/15°/25°/30°/45°/60°/90° | 23.2 | DC24V | 08 |
| 958126 | 12x3W RGB3in1 | 25°/30°/45°/60° | 35.5 | DC24V | 08 |

▶ STAINLESS STEEL UNDERWATER LED SPOT LIGHT

Completely Hard Chromeplated Stainless steel Housing&Accessories



- LED Colour Temperature
 - 2700K • 3000K
 - 4000K • 6000K
- Optics
 - 8°/15°/25°/30°/45°/60°/90°

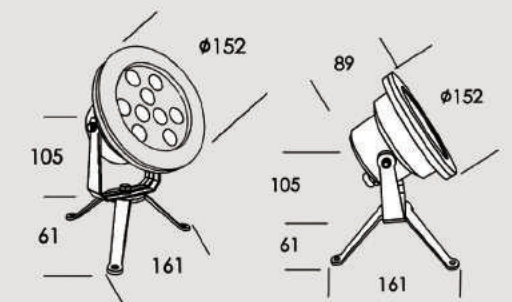


| Item No. | Light source | Lens beam angle() | Consumption (watt) | Input Voltage(V) | Ik rate |
|----------|---------------------|----------------------------|--------------------|-------------------|---------|
| 95561 | 6x1W | 8°/15°/25°/30°/45°/60°/90° | 6.1 | 24VDC/12VDC | 08 |
| 95562 | 6x2W | 8°/15°/25°/30°/45°/60°/90° | 12.3 | 24VDC/12VDC | 08 |
| 95563 | 6x1W RGB (2R,2G,2B) | 8°/15°/25°/30°/45°/60°/90° | 5.7 | 24VDC/12VDC | 08 |
| 95564 | 6x2W RGB (2R,2G,2B) | 8°/15°/25°/30°/45°/60°/90° | 11.5 | 24VDC/12VDC | 08 |
| 95566 | 6x3W RGB3in1 | 25°/30°/45°/60° | 18.4 | 24VDC | 08 |

Material specifications

| | |
|--------------------------|---|
| Housing | Molding shaped 304# or 316L# stainless steel |
| Bracket: | Stainless steel 304# or 316L# |
| Front cover: | Stainless steel sus304# or sus316L# |
| Glass: | Step tempered glass T=8mm |
| Lens: | Optical lens, efficiency ≥85% |
| Cable gland: | IP-68 PG-11 copper and nickel coated |
| LED: | High power CREE/Bridgelux/Epistar LED; |
| PCB: | Excellent heat conductivity aluminum, coefficient of heat conductivity ≥2.0w/mk |
| Gasket: | Molding shaped silicone seal |
| Power cable: | H05RN-F 2×0.75mm ² L=2m(for Single color) H05RN-F 4×0.75mm ² L=2m(for RGB) |
| Application environment: | Temperature of water between -20℃ ~40℃ less than 1.0 meter depth. |

Outer Dimensions Unit: mm



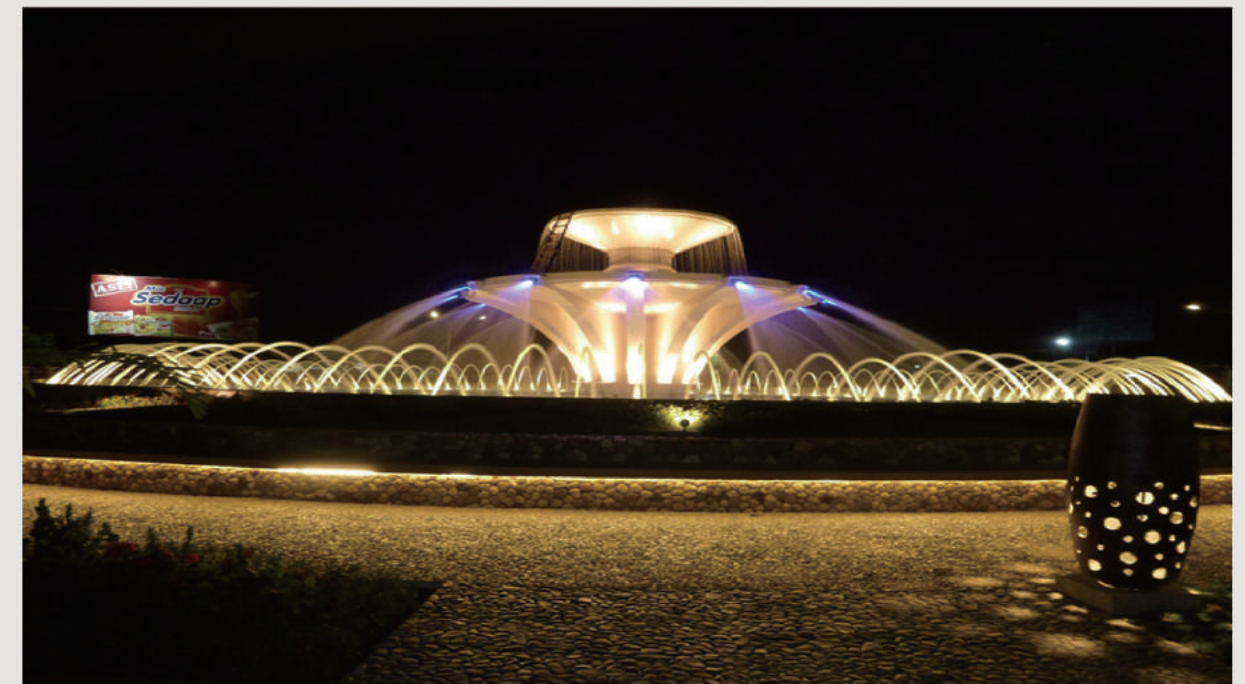
***Warning:**
Must be installed under the water to prevent the lights from being burnt off because of the over-heating.

▶ STAINLESS STEEL UNDERWATER LED SPOT LIGHT

Completely Hard Chromeplated Stainless steel Housing & Accessories



- LED Colour Temperature
 - 2700K • 3000K
 - 4000K • 6000K
- Optics
 - 8°/15°/25°/30°/45°/60°/90°

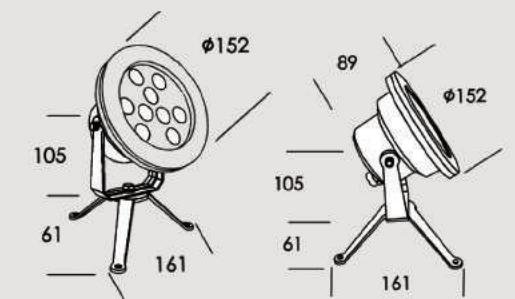


| Item No. | Light source | Lens beam angle() | Consumption (watt) | Input Voltage(V) | Ik rate |
|----------|---------------------|----------------------------|--------------------|-------------------|---------|
| 95591 | 9x1W | 8°/15°/25°/30°/45°/60°/90° | 9.1 | 24VDC/12VDC | 08 |
| 95592 | 9x2W | 8°/15°/25°/30°/45°/60°/90° | 18.5 | 24VDC/12VDC | 08 |
| 95593 | 9x1W RGB (3R,3G,3B) | 8°/15°/25°/30°/45°/60°/90° | 8.9 | 24VDC/12VDC | 08 |
| 95594 | 9x2W RGB (3R,3G,3B) | 8°/15°/25°/30°/45°/60°/90° | 18.2 | 24VDC/12VDC | 08 |
| 95596 | 9x3W RGB3in1 | 25°/30°/45°/60° | 25.2 | 24VDC | 08 |

Material specifications

| | |
|--------------------------|---|
| Housing | Molding shaped 304# or 316L# stainless steel |
| Bracket: | Stainless steel 304# or 316L# |
| Front cover: | Stainless steel sus304# or sus316L# |
| Glass: | Step tempered glass T=8mm |
| Lens: | Optical lens, efficiency ≥85% |
| Cable gland: | IP-68 PG-11 copper and nickel coated |
| LED: | High power CREE/Bridgelux/Epistar LED; |
| PCB: | Excellent heat conductivity aluminum, coefficient of heat conductivity ≥2.0w/mk |
| Gasket: | Molding shaped silicone seal |
| Power cable: | H05RN-F 2×0.75 mm² L=2m(for Single color) H05RN-F 4×0.75mm² L=2m(for RGB) |
| Application environment: | Temperature of water between -20℃ 40℃ less than 1.0 meter depth. |

Outer Dimensions Unit: mm



***Warning:**
Must be installed under the water to prevent the lights from being burnt off because of the over-heating.

HIGH POWER LED UNDERWATER SPOT LIGHT

Completely Hard Chromeplated Stainless steel Housing & Accessories



951121
951122
951126



95161
95162
95166



95131
95132

Different perspectives



- LED Colour Temperature
 - 2700K • 3000K
 - 4000K • 6000K
- Optics
 - 8°/15°/25°/30°/45°/60°/90°

***Warning:**
Must be installed under the water to prevent the lights from being burnt off because of the over-heating.

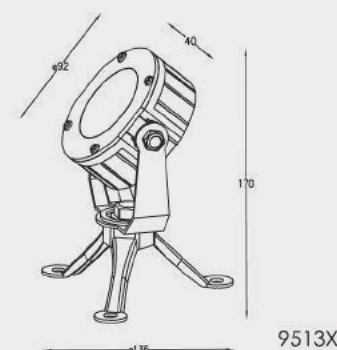
Material specifications

| | |
|--------------------------|---|
| Housing | Molding shaped 304# or 316L# stainless steel |
| Bracket: | Stainless steel 304# or 316L# |
| Front cover: | Stainless steel sus304# or sus316L# |
| Glass: | Step tempered glass T=5mm |
| Lens: | Optical lens, efficiency ≥85% |
| Cable gland: | IP-68 PG-11 copper and nickel coated |
| LED: | High power CREE/Bridgelux/Epistar LED; |
| PCB: | Excellent heat conductivity aluminum, coefficient of heat conductivity ≥2.0w/mk |
| Gasket: | Molding shaped silicone seal |
| Power cable: | H05RN-F 2×0.75mm² L=2m (for Single color) H05RN-F 4×0.75mm² L=2m (for RGB) |
| Application environment: | Temperature of water between -20°C-40°C less than 1.0 meter depth. |

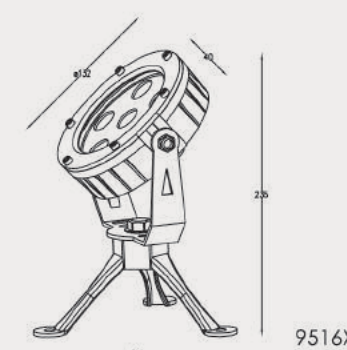


Outer Dimensions

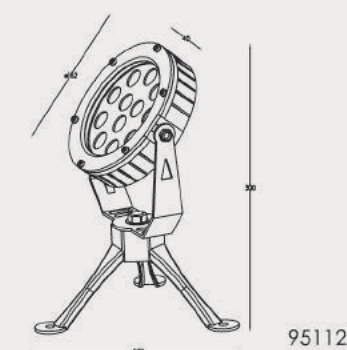
Unit: mm



9513X



9516X



95112X

| Item No. | Light source | Lens beam angle(°) | Consumption (watt) | Input Voltage(V) | lk rate |
|----------|---------------|--------------------|--------------------|-------------------|---------|
| 95131 | 3x1W | 15°/20°/30°/45° | 3.2 | DC12V/DC24V | 06 |
| 95132 | 3x2W | 15°/20°/30°/45° | 6.3 | DC12V/DC24V | 06 |
| 95161 | 6x1W | 15°/20°/30°/45° | 6.2 | DC24V | 06 |
| 95162 | 6x2W | 15°/20°/30°/45° | 12.6 | DC24V | 06 |
| 95166 | 6x3W RGB3in1 | 20°/30°/45° | 18.5 | DC24V | 06 |
| 951121 | 12x1W | 15°/20°/30°/45° | 12.2 | DC24V | 06 |
| 951122 | 12x2W | 15°/20°/30°/45° | 24.4 | DC24V | 06 |
| 951126 | 12x3W RGB3in1 | 20°/30°/45° | 35.5W | DC24V | 06 |