

CATALOG

2018 series

Emergency Exit
Light Series 2018v

SPECIFICATION SHEET



AZTECH GENERAL TRADING LLC

P.O. BOX: 239101, AL QUSAIS INDUSTRIAL
AREA 2, DUBAI
UNITED ARAB EMIRATES

PH: +971 4 888 0698 | MOB: +971 55 332 5191

Email: info.salesaztech@gmail.com
info@aztechmnc.com

Website: www.aztechmnc.com

AZTECH GENERAL TRADING LLC
EMERGENCY EXIT LIGHT

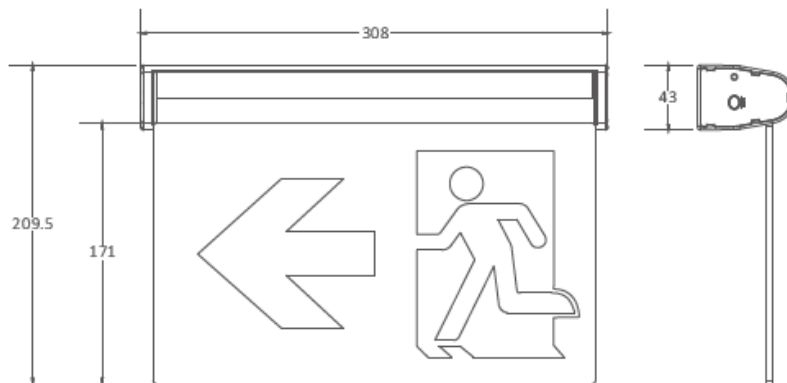
Features



Standard Feature

- Compact and decorative design
- Injection molded thermoplastic ABS housing
- Quick connection and easy installation
- Single and double face universal
- LED bright SMD 2835, CCT 6000K
- Li-ion battery
- Replaceable pictogram design
- Rohs compliance
- CE SAA certification
- Wall mounting ,Ceiling mounting ,wall bracket mounting, recessed ceiling mounting

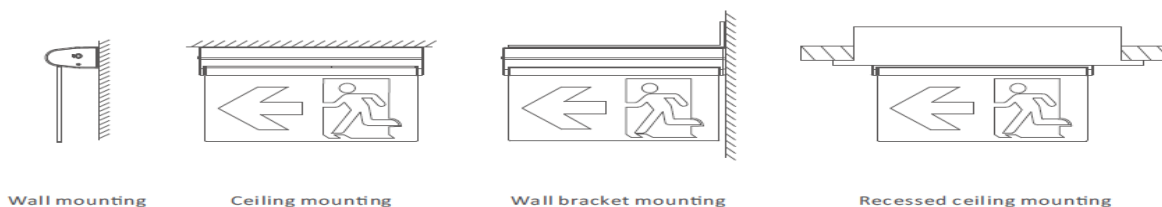
Dimensions (unit: mm)



Technical Specification

● Input voltage	220-240VAC 50/60Hz
● Luminaire power consumption	2.5-3.0W(AC)/1.2W(DC)
● LED power consumption	0.9W(AC&DC)
● LED source	2.8W(0.2W*14)
● Charge time	24 hours
● Discharge duration	1hour, 2hours, 3hours
● Test facility	Button self-test +Auto self-test
● Operation	Maintained and Non-Maintained and ACEG
● Viewing distance	30m
● Flux	50lm
● Luminance of safety sign	>15cd/m ²
● Degree of protection	IP65

Mounting type



MODEL: EXIT SIGN AZA2

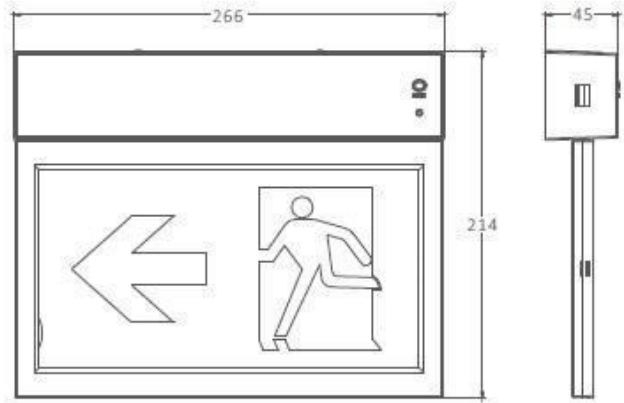
Features



Standard Feature

- Compact and decorative design
- Injection molded thermoplastic ABS housing
- Quick connection and easy installation
- Single and double face universal
- LED bright SMD 2835, CCT 6000K
- Li-ion battery
- Replaceable pictogram design
- Rohs compliance
- CE SAA certification
- Wall mounting ,Ceiling mounting ,wall bracket mounting, recessed ceiling mounting

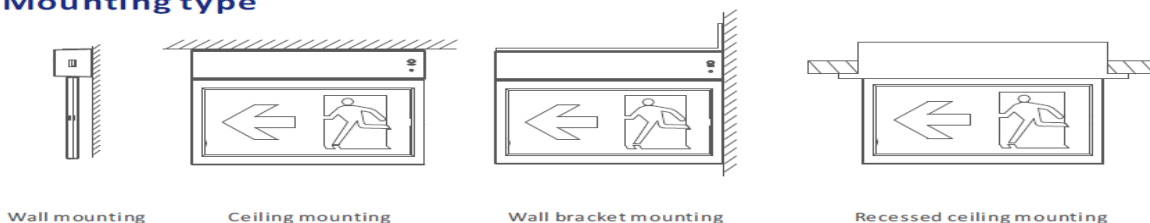
Dimensions (unit: mm)



Technical Specification

- | | |
|-------------------------------|--|
| ● Input voltage | 220-240VAC 50/60Hz |
| ● Luminaire power consumption | 2.5-3.0W(AC)/1.2W(DC) |
| ● LED power consumption | 0.9W |
| ● LED source | 2.4W(0.2W*12) |
| ● Charge time | 24 hours |
| ● Discharge duration: | 1hour, 2hours, 3hours |
| ● Test facility | Button self-test +Auto self-test |
| ● Operation | Maintained and Non-Maintained and ACEG |
| ● Viewing distance | 24m |
| ● Flux | 32lm |
| ● Luminance of safety sign: | >15cd/m ² |
| ● Degree of protection | IP20 |

Mounting type



Wall mounting

Ceiling mounting

Wall bracket mounting

Recessed ceiling mounting

LED EMERGENCY EXIT LIGHTS

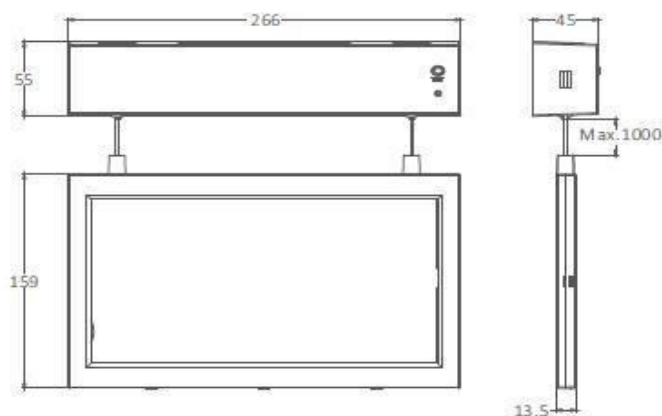
MODEL: EXIT SIGN AZA3

Features

Standard Feature

- Compact and decorative design
- Injection molded thermoplastic ABS housing
- Quick connection and easy installation
- Single and double face universal
- LED bright SMD 2835, CCT 6000K
- Li-ion battery
- Replaceable pictogram design
- Rohs compliance
- CE SAA certification
- Wall mounting ,Ceiling mounting ,wall bracket mounting, recessed ceiling mounting

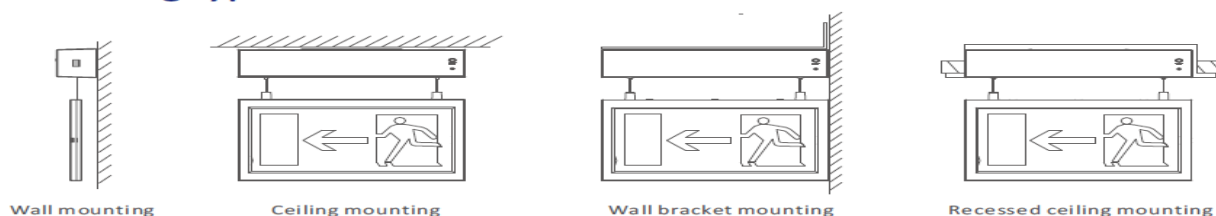
Dimensions (unit: mm)



Technical Specification

● Input voltage	220-240VAC 50/60Hz
● Luminaire power consumption	2.5-3.0W(AC)/1.2W(DC)
● LED power consumption	0.9W
● LED source	2.4W(0.2W*12)
● Charge time	24 hours
● Discharge duration	1hour, 2hours, 3hours
● Test facility	Button self-test +Auto self-test
● Operation	Maintained and Non-Maintained and ACEG
● Viewing distance	24m
● Flux	32lm
● Luminance of safety sign	>15cd/m ²
● Degree of protection	IP20

Mounting type



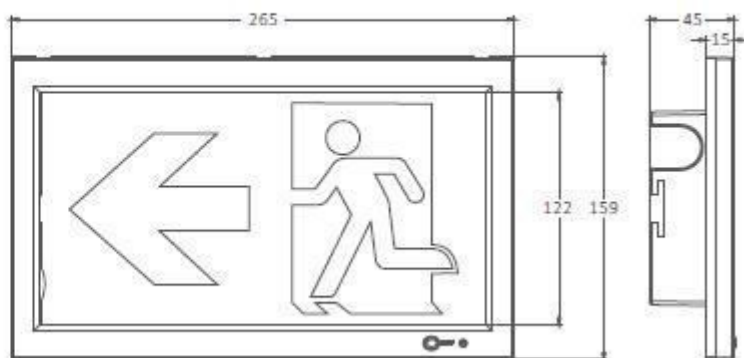
Features



Standard Feature

- Compact and decorative design
- Injection molded thermoplastic ABS housing
- Quick connection and easy installation
- Single and double face universal
- LED bright SMD 2835, CCT 6000K
- Li-ion battery
- Replaceable pictogram design
- Rohs compliance
- CE SAA certification
- Wall mounting ,Ceiling mounting ,wall bracket mounting, recessed ceiling mounting

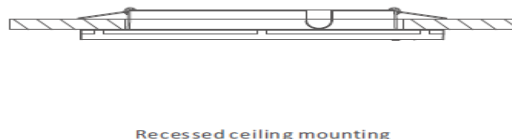
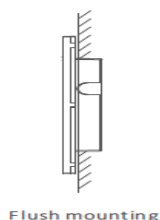
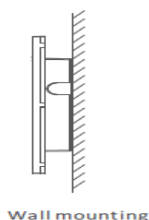
Dimensions (unit: mm)



Technical Specification

- | | |
|-------------------------------|--|
| ● Input voltage | 220-240VAC 50/60Hz |
| ● Luminaire power consumption | 2.5-3.0W(AC)/1.2W(DC) |
| ● LED power consumption | 0.9W |
| ● LED source | 2.4W(0.2W*12) |
| ● Charge time | 24 hours |
| ● Discharge duration | 1 hour, 2hours, 3 hours |
| ● Test facility | Button self-test +Auto self-test |
| ● Operation | Maintained and Non-Maintained and ACEG |
| ● Viewing distance | 24m |
| ● Flux | 32lm |
| ● Luminance of safety sign | >15cd/m ² |
| ● Degree of protection | IP20 |

Mounting type



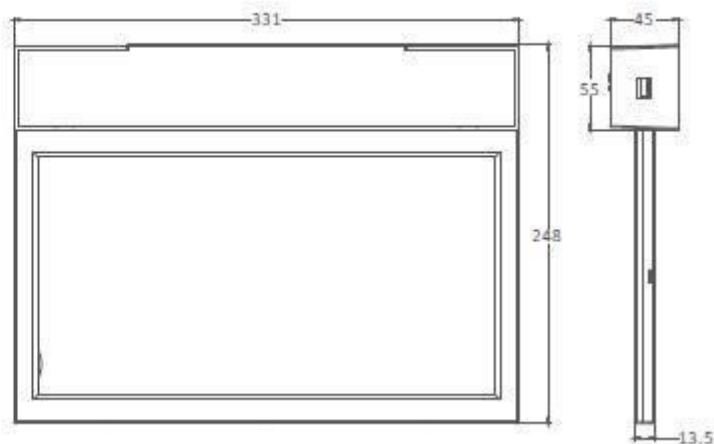


Features

Standard Feature

- Compact and decorative design
- Injection molded thermoplastic ABS housing
- Quick connection and easy installation
- Single and double face universal
- LED bright SMD 2835, CCT 6000K
- Li-ion battery
- Replaceable pictogram design
- Rohs compliance
- CE SAA certification
- Wall mounting ,Ceiling mounting , wall bracket mounting, recessed ceiling mounting

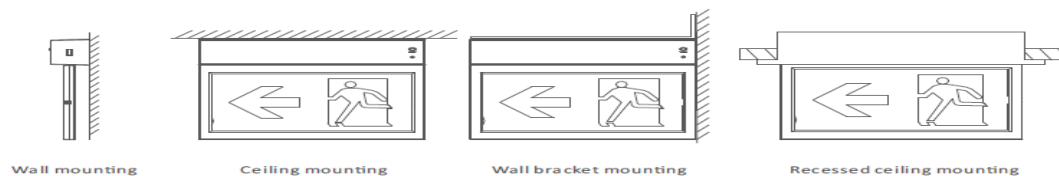
Dimensions (unit: mm)



Technical Specification

● Input voltage	220-240VAC 50/60Hz
● Luminaire power consumption	2.5-3.0W(AC)/1.2W(DC)
● LED power consumption	0.9W
● LED source	3.2W(0.2W*16)
● Charge time	24 hours
● Discharge duration	1 hour, 2hours, 3 hours
● Test facility	Button self-test +Auto self-test
● Operation	Maintained and Non-Maintained and ACEG
● Viewing distance	30m
● Flux	50lm
● Luminance of safety sign	>15cd/m ²
● Degree of protection	IP20

Mounting type



MODEL: EXIT SIGN AZA6

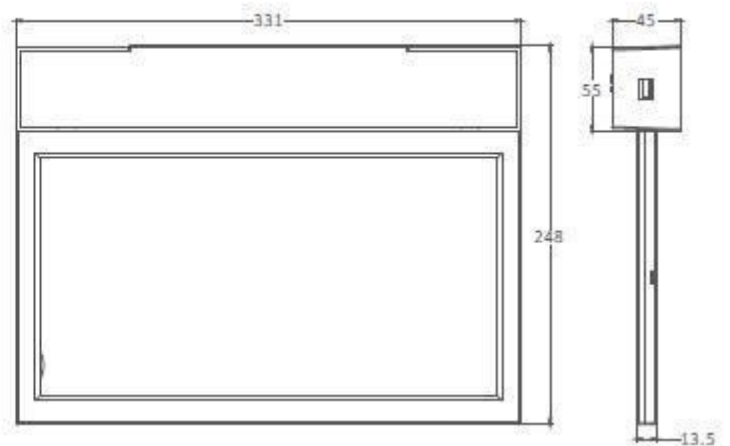
Features

Standard Feature

- Compact and decorative design
- Injection molded thermoplastic ABS housing
- Quick connection and easy installation
- Single and double face universal
- LED bright SMD 2835, CCT 6000K
- Li-ion battery
- Replaceable pictogram design
- Rohs compliance
- CE SAA certification
- Wall mounting ,Ceiling mounting , wall bracket mounting, recessed ceiling mounting



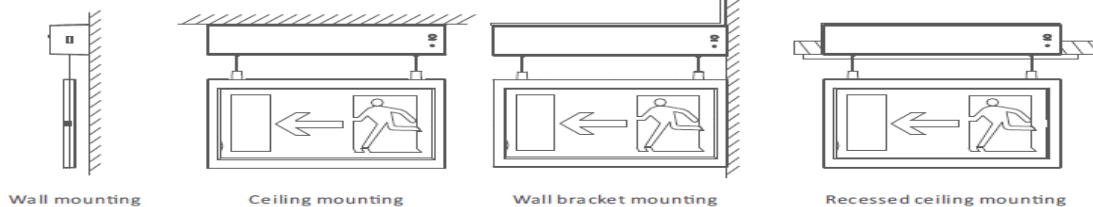
Dimensions (unit: mm)



Technical Specification

- | | |
|-------------------------------|--|
| ● Input voltage | 220-240VAC 50/60Hz |
| ● Luminaire power consumption | 2.5-3.0W(AC)/1.2W(DC) |
| ● LED power consumption | 0.9W |
| ● LED source | 3.2W(0.2W*16) |
| ● Charge time | 24 hours |
| ● Discharge duration | 1 hour, 2hours, 3 hours |
| ● Test facility | Button self-test +Auto self-test |
| ● Operation | Maintained and Non-Maintained and ACEG |
| ● Viewing distance | 30m |
| ● Flux | 50lm |
| ● Luminance of safety sign | > 15cd/m ² |
| ● Degree of protection | IP20 |

Mounting type



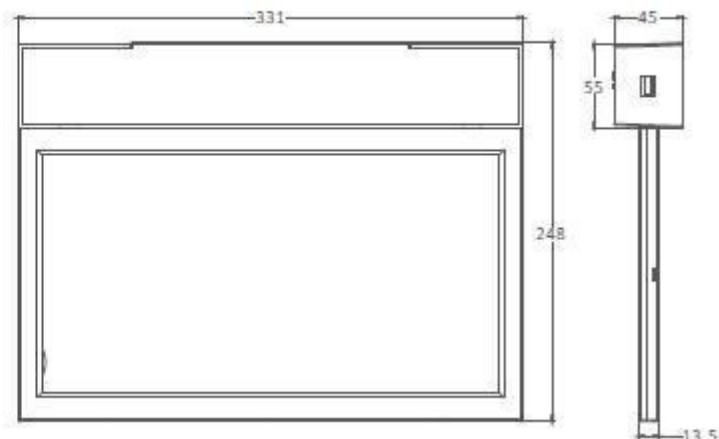


Features

Standard Feature

- Compact and decorative design
- Injection molded thermoplastic ABS housing
- Quick connection and easy installation
- Single and double face universal
- LED bright SMD 2835, CCT 6000K
- Li-ion battery
- Replaceable pictogram design
- Rohs compliance
- CE SAA certification
- Wall mounting , mounting, recessed ceiling mounting

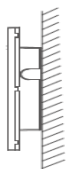
Dimensions (unit: mm)



Technical Specification

● Input voltage	220-240VAC 50/60Hz
● Luminaire power consumption	2.5-3.0W(AC)/1.2W(DC)
● LED power consumption	0.9W
● LED source	3.2W(0.2W*16)
● Charge time	24 hours
● Discharge duration	1 hour, 2 hours, 3 hours
● Test facility	Button self-test +Auto self-test
● Operation	Maintained and Non-Maintained and ACEG
● Viewing distance	30m
● Flux	50lm
● Luminance of safety sign	>15cd/m ²
● Degree of protection	IP20

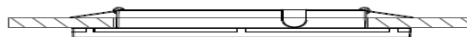
Mounting type



Wall mounting



Flush mounting



Recessed ceiling mounting

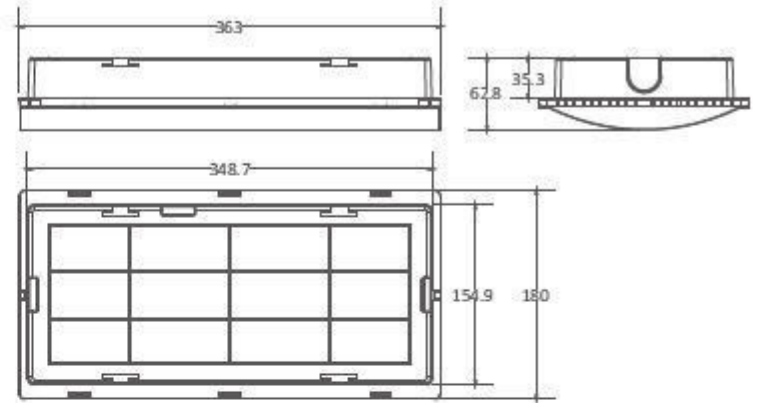
Features



Standard Feature

- Injection molded Flame retardant ABS housing
- LED bright SMD 2835, CCT 6000K
- Li-ion battery
- over charge and over discharge protection
- Working/fault status bi-color indicator and test button
- Fault self- diagnostics test and alert function
- CE SAA certification, Rohs compliance
- Single face , Replaceable pictogram design
- Wall mounting, Flush mounting

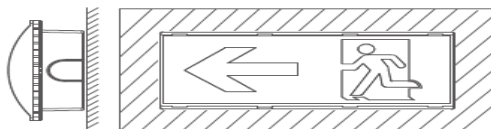
Dimensions (unit: mm)



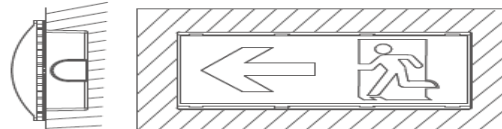
Technical Specification

● Input voltage	220-240VAC 50/60Hz
● Luminaire power consumption	5.0W(AC)/3.0W(DC)
● LED power consumption	2.4W(AC&DC)
● LED source	12W(0.2WX60)
● Charge time	24 hours
● Discharge duration	1 hour, 2hours, 3 hours
● Test facility	Button self-test +Auto self-test
● Operation	Maintained and Non-Maintained
● Viewing distance	32m
● Flux	100lm
● Luminance of safety sign	>15cd/m ²
● Degree of protection	IP65

Mounting type



Wall mounting



Flush mounting

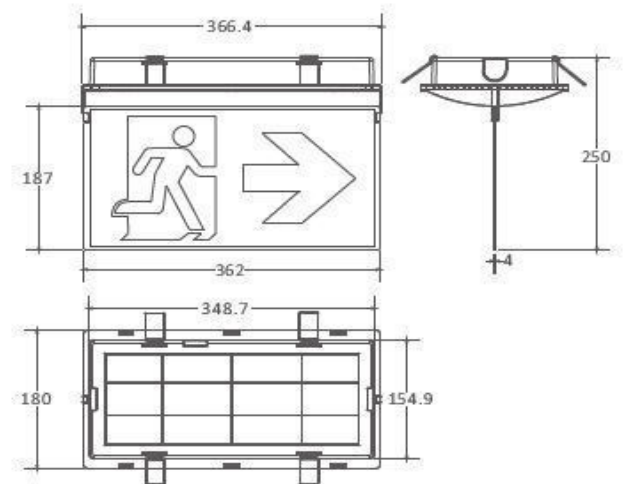
Features

Standard Feature

- Injection molded Flame retardant ABS housing
- LED bright SMD 2835,CCT 6000K
- Li-ion battery
- over charge and over discharge protection
- Working/fault status bi-color indicator and test button
- Fault self- diagnostics test and alert function
- CE SAA certification, Rohs compliance
- Single and double face universal
- Ceiling mounting, recessed ceiling mounting



Dimensions (unit: mm)



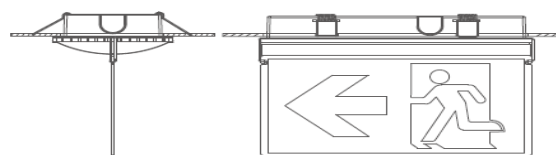
Technical Specification

- | | |
|-------------------------------|----------------------------------|
| ● Input voltage | 220-240VAC 50/60Hz |
| ● Luminaire power consumption | 5.0W(AC)/3.0W(DC) |
| ● LED power consumption | 2.4W(AC&DC) |
| ● LED source | LED source:12W(0.2W*60) |
| ● Charge time | 24 hours |
| ● Discharge duration | 1hour, 2hours, 3hours |
| ● Test facility | Button self-test +Auto self-test |
| ● Operation | Maintained and Non-Maintained |
| ● Viewing distance | 36m |
| ● Flux | 260lm |
| ● Luminance of safety sign | >15cd/m ² |
| ● Degree of protection | IP65 |

Mounting type



Ceiling mounting



Recessed ceiling mounting

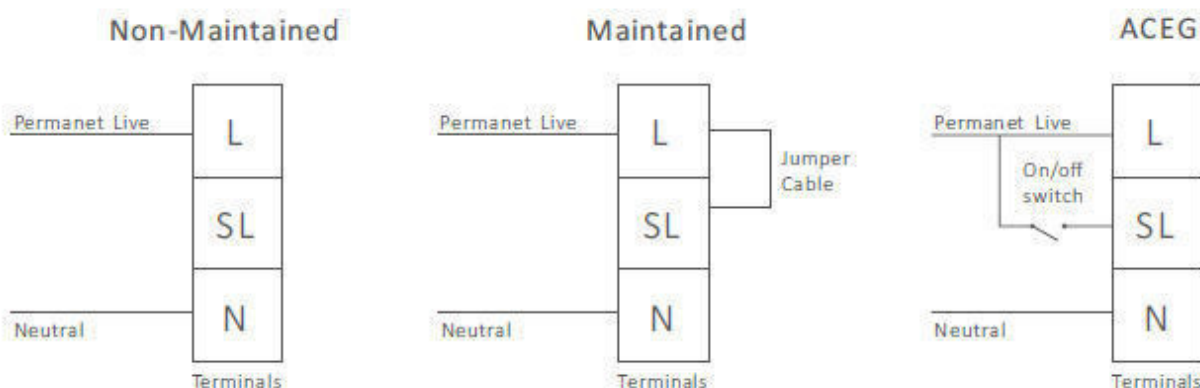
OPERATION

The luminaries can realize Maintained ,Non-Maintained, ACEG operation type

Operation and condition	Function	Green Indicator
the main supply is normal	Maintained operation type: luminaries is general lighting and charged mode	Green Indicator Permanent light
	Non-Maintained operation type: luminaries is charged mode, luminaries will not be illuminated	Green Indicator Permanent light
	ACEG operation type: luminaries is general lighting and charged mode, and can be on /off by switch	Green Indicator Permanent light
the main supply Isolated	Enter to emergency mode, luminaries is illuminated from its battery pack	Green Indicator flash 1 flashe within 1 second

Luminaries default operation is Maintained. Installer can change the luminaries to Non-Maintained and ACEG operation easily by jumper cable.

Please reference below instruction



Button self test---by test button can realize emergency lighting self test

operation	Function	Green Indicator
Press once test button	180seconds Emergency lighting self testing	10 flashes 1 second
Press twice test button within 2 seconds	1hours Emergency lighting self testing	5 flashes 1 second
Press 3 times test button within 2 seconds	2hours Emergency lighting self testing	2 flashes 1 second
Press 4 times test button within 2 seconds	3hours Emergency lighting self testing	1 flash 2 seconds
Press 5 times test button within 2 seconds	Quit to Emergency lighting self testing	Permanent light
To achieve the 1-3 hour emergency testing, you only need to press 1-4 times the test button		

Auto self-test--- regular automatic carry out emergency test function

operation	Function	Green Indicator
Self-test every month after installation	180seconds Emergency lighting self testing	10 flashes 1 second
Self-test every 6 months after installation	1 hour Emergency lighting self testing or 3hours Emergency lighting self testing	5 flashes 1 second(1hour Emergency) or 1 flash 2 seconds(3hour Emergency)
this panel will regular automatic carry out emergency test function In accordance with the preset program software, no need for manual operation		

Fault self- diagnostics test and alert function

operation	Fault	Response	Red Indicator
self- diagnostics test every 5 seconds	Battery is not connected or voltage is too low	Alert and Enter the dormant	Permanent light
	Battery voltage rises more than acceptable value	Alert and stop the charge	2 flashes 1 second
	Battery voltage drops below than acceptable value	Alert and quit the emergency	5 flashes 1 second
	Lamp or load is not connected	Alert	1 flash 2 seconds
Emergency driver/ luminaries will automatic diagnose fault and give an alarm by red Indicator			